

HORLOGES DIGITALES intérieures
DIGITAL CLOCKS indoor

Style 5 – Style 5 Seconde

Style 7 - Style 7 Date – Style 7 Ellipse – Style 7 Seconde

Style 10 - Style 10 Seconde - Style 10 Date - Style 10 Seconde Date

NTP



Notice d'installation et de mise en service
Installation and operation manual

Bodet

www.bodet-time.com

BODET Time & Sport

1, rue du Général de Gaulle
49340 TREMENTINES | France
Tél. support France: 02.41.71.72.99
Tel. support (intl): +33 241 71 72 33



Réf : 607794L

S'assurer à réception que le produit n'a pas été endommagé durant le transport pour réserve au transporteur.
When receiving goods, please check that the item is not broken. If the product is damaged, a claim
should be addressed to the shipping company.

Table of contents

I – Initial checks	4
1.1 Unpacking the clock	4
1.2 Cleaning	5
1.3 Pre-requisites	5
II – Installation	6
2.1 Wall mounting – Style 5-5S-7D-7E-7S	6
2.2 Wall mounting – Style 10-10S-10D-10SD	7
2.3 Recess mounting – Style 5-5S-7-7S-7D-10	8
2.4 Mounting - Style 7-7D-10-10S waterproof IP65	10
III – Location of "S" and "+" keys	11
IV – Style 5S-7S-10S – Timer mode	11
V – Default configuration	12
VI – Basic configuration	13
6.1 Setting time/date/year – all models except Style 7D-10D-10SD	13
6.2 Configuration menu – all models except Style 7D-10D-10SD	13
6.3 Setting time/date/year – Style 7D	14
6.4 Configuration menu – Style 7D	15
6.5 Setting time/date/year – Style 10D-10SD	16
6.6 Configuration menu – Style 10D-10SD	17
VII – Web interface	18
7.1 Home page	18
7.2 Network configuration	19
7.3 Time and synchronisation configuration	20
7.4 Parameters	22
7.5 Alarm configuration	23
7.6 System	25
VIII – Adjusting the brightness	26
IX – Memory backup	26
X – Technical specifications	26
XI – Maintenance menu	29
11.1 Maintenance menu – all models except Style 7D-7E-10D-10SD	29
11.2 Maintenance menu – Style 7D-7E	30
11.3 Maintenance menu – Style 10D-10SD	31
XII – What to do if...	32
XIII – Appendix	33
13.1 Changing the time according to the time zone	33

Table des matières

I – Vérification initiale	34
1.1 Déballage de l'horloge	34
1.2 Nettoyage	35
1.3 Pré-requis	35
II – Installation mécanique	36
2.1 Montage mural Style 5-5S-7D-7E-7S	36
2.2 Montage mural Style 10-10S-10D-10SD	37
2.3 Montage par encastrement Style 5-5S-7-7S-7D-10	38
2.4 Montage Style 7-7D-10-10S étanches IP65	40
III – Emplacement des touches «S» et «+»	41
IV – Style 5S-7S-10S – Mode chronomètre	41
V – Configuration par défaut	42
VI – Configuration basique	43
6.1 Réglage Heure/Date/Année toutes versions sauf Style 7D-10D-10SD	43
6.2 Menu configuration toutes versions sauf Style 7D-10D-10SD	43
6.3 Réglage Heure/Date/Année Style 7D	44
6.4 Menu configuration Style 7D	45
6.5 Réglage Heure/Date/Année Style 10D-10SD	46
6.6 Menu configuration Style 10D-10SD	47
VII – Configuration avancée	48
7.1 Accueil	48
7.2 Configuration réseau	49
7.3 Configuration de l'heure et synchronisation	50
7.4 Paramétrage	52
7.5 Configuration des alarmes	53
7.6 Système et protection	55
VIII – Réglage de la luminosité	56
IX – Sauvegarde mémoire	56
X – Caractéristiques techniques	56
XI – Menu technicien	59
11.1 Menu technicien toutes versions sauf Style 7D-7E-10D-10SD	59
11.2 Menu technicien Style 7D-7E	60
11.3 Menu technicien Style 10D-10SD	61
XII – Que faire si...? ...Vérifier.	62
XIII – Annexe	63
13.1 Changement d'heure en fonction du fuseau horaire	63

I – Initial checks

Thank you for choosing a BODET clock.

This product has been carefully designed, adhering to ISO 9001 quality processes, to ensure your satisfaction. We recommend that you read this manual and the general safety measures and operating instructions carefully before handling the clock.

Retain this manual for reference for the lifespan of your clock.

The information supplied is non-binding; Bodet reserves the right to make changes to equipment, including functional, technical and aesthetic changes or changes to colours, without notice.

Failure to observe these instructions may cause irreversible damage to the clock and invalidate the warranty.

These instructions relate to NTP models. For other models, please refer to the corresponding instructions.

These instructions relate to the following clocks:

Style 5: hours and minutes display. Height of digits: 5 cm.

Style 5S (seconds): hours, minutes and seconds display. Height of digits: 5 cm.

Style 7: hours and minutes display. Height of digits: 7 cm.

Style 7D (date): hours, minutes, date, day and week display. Height of digits: 7 cm; height of letters: 5 cm.

Style 7E (ellipse): hours, minutes and revolving seconds display on ellipse design. Height of digits: 7 cm; height of letters: 5 cm.

Style 7S (seconds): hours, minutes and seconds display. Hours and minutes height of digits: 7 cm. Seconds height of digits: 7 cm

Style 10: hours and minutes display. Height of digits 10 cm.

Style 10S (seconds): hours, minutes and seconds display. Height of hours and minutes digits: 10 cm; height of seconds digits: 7 cm.

Style 10D (date): hours, minutes, date, day and week display. Height of digits: 10 cm; height of letters: 7 cm.

Style 10SD (seconds - date): hours, minutes, seconds, date, day and week display. Height of hours and minutes digits: 10 cm; height of seconds digits and letters: 7 cm.

1.1 Unpacking the clock

Carefully unpack the clock and check the contents of the package. This should include:

- Style clock
- Manual
- **IMPORTANT: product identification label**

An identification label is affixed to the back of the clock. Use the URL link shown to download these instructions.

1.2 Cleaning

Use an anti-static product.

Never use alcohol, acetone or other solvents, which may damage the clock's casing or glass.

1.3 Pre-requisites

For the commissioning of the clocks you must install "BODET Detect".

This software is available for download by clicking on the icon below.

**Download the
Bodet Detect software:**



Note: the BODET clock must be connected to a PoE network socket via a PoE switch or a PoE injector. (802.3af, class 3: multicast, class 0: unicast).

Bodet recommends the following devices:

- PoE injectors: Zyxel, Tp link, D-Link, HP, Cisco, Axis, ITE Power Supply, PhiHong, Abus, Globtek
- PoE switches: D-Link, HP, Planet, Zyxel, Cisco, NetGear, PhiHong

Select a location to install the clock, preferably away from sources of electrical interference, such as transformers.

Note: On a double-sided clock, incompatibilities may exist between the master and slave clocks if one of the clocks is version V1.1B11 (or lower) and the other is version V2.1A06 (or higher). It is recommended to set the clock with the most recent version as the master clock.

II – Installation

2.1 Wall mounting – Style 5-5S-7-7D-7E-7S

The visuals below refer to the Style 5 clock. However, the installation process shown also applies to Styles 5S, 7, 7D and 7E. Refer to the Technical specifications on page 26 for clock dimensions.

1) Fix the wall bracket to the wall using the 3 mm Ø screws supplied along with the 3 wall plugs (Ø6 mm) Use a 6mm drill bit.

2) Insert the RJ45 network cable:

- From above: cut through the upper part of the casing ❶ and insert the cable at the back.
- From behind: dedicated area ❷.

3) Clip the electronic board into the wall bracket. Insert the lower part of the electronic board into the back of the wall bracket, then push the upper part of the board into the back of the bracket until it clicks ❸.

4) Connect the RJ45 network cable to the electronic board connector ❹.

Power is supplied by the PoE Ethernet network.

5) Connect the network cable to the electronic board using a plastic tie (mounting hole provided in the electronic board).

6) Connect the ribbon from the LED modules (clock casing) to the electronic board ❺.

ATTENTION: To avoid damaging the product, please, watch for the orientation of the flat cable connector. For that purpose the connector is keyed (A) and marked (B).

7) Attach the clock to the wall bracket by inserting the upper part of the clock into the back of the bracket in the slots provided, then press the clock in until it clicks.

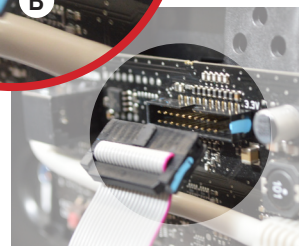
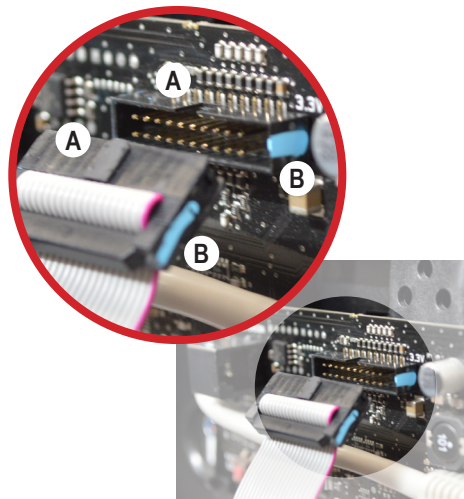
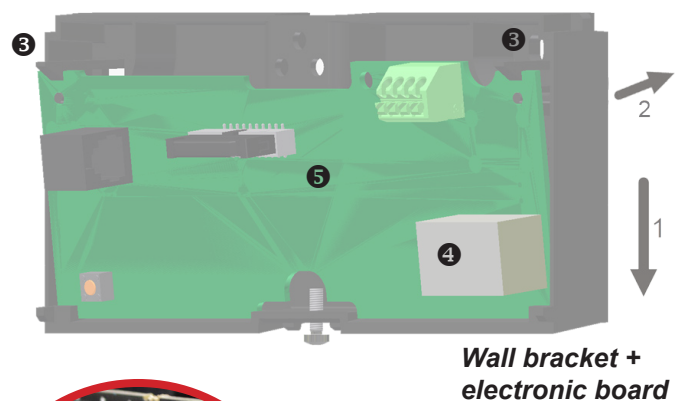
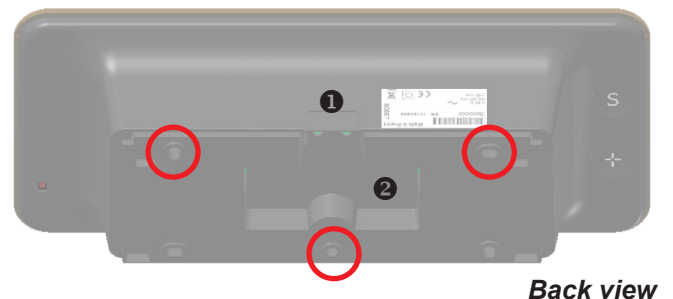
Secure the clock to the bracket at the bottom, using the mounting screw provided.

Ensure that the cables are not trapped during this operation.

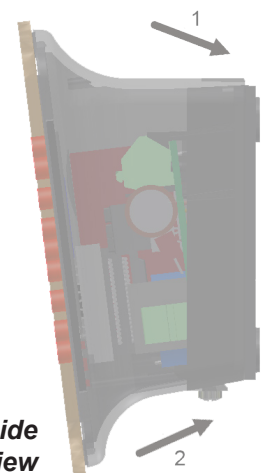
8) The clock may be subsequently detached from the bracket by lifting the lower part of the clock outwards, then removing the upper part.

9) Remove the protective film from the front and clean the clock using an anti-static cloth.

Important : about double face installation on support bracket, refer to the manual supports, ref.: 607847 (included with the bracket).



Right side cutaway view



2.2 Wall mounting – Style 10-10S-10D-10SD

The visuals below refer to the Style 10 clock. However, the installation process shown also applies to Styles 10S, 10D and 10SD. Refer to the Technical specifications on page 26 for clock dimensions.

1) Fix the wall bracket to the wall using the four Ø4 mm screws supplied, along with the 4 wall plugs (Ø6 mm) Use a 6mm drill bit.

2) Insert the RJ45 network cable:

- From above: cut through the casing at the top, between the two labels ❶.
- From behind: dedicated area ❷.

3) Clip the electronic board into the wall bracket. Insert the lower part of the electronic board into the back of the wall bracket, then push the upper part of the board into the back of the bracket until it clicks ❸.

4) Connect the RJ45 network cable to the electronic board connector ❹.

Power is supplied by the PoE Ethernet network.

5) Connect the network cable to the electronic board using a plastic tie (mounting hole provided in the electronic board).

6) Connect the ribbon from the LED modules (clock casing) to the electronic board ❺.

ATTENTION: To avoid damaging the product, please, watch for the orientation of the flat cable connector. For that purpose the connector is keyed (A) and marked (B).

7) Attach the clock to the wall bracket by inserting the upper part of the clock into the back of the bracket in the slots provided, then press the clock in until it clicks.

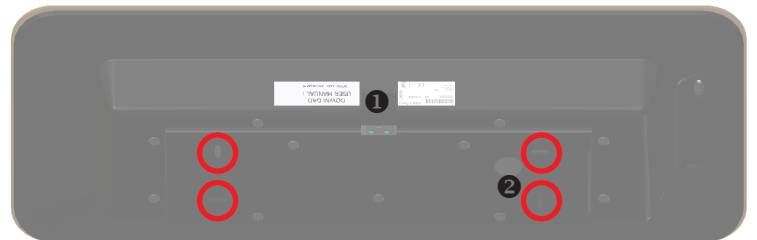
Secure the clock to the bracket at the bottom, using the mounting screw provided.

Ensure that the cables are not trapped during this operation.

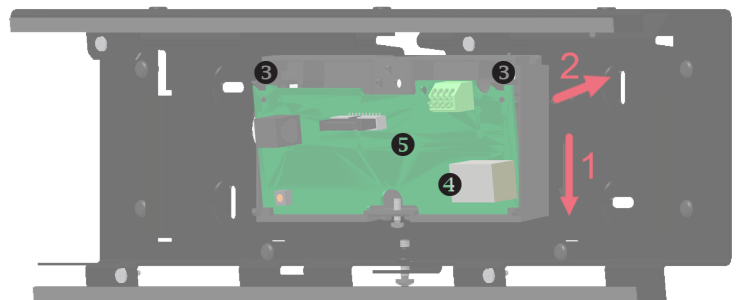
8) The clock may be subsequently detached from the bracket by lifting the lower part of the clock outwards, then removing the upper part.

9) Remove the protective film from the front and clean the clock using an anti-static cloth.

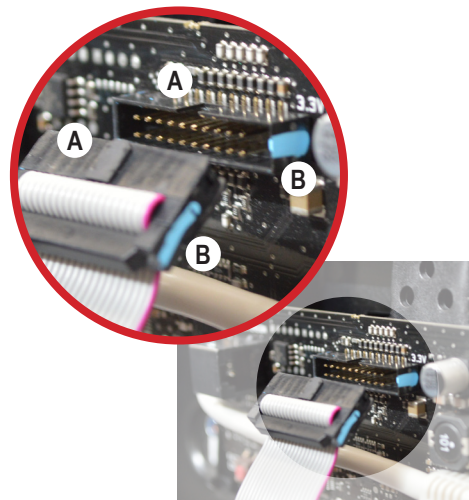
Important : about double face installation on support bracket, refer to the manual supports, ref.: 607847 (included with the bracket).



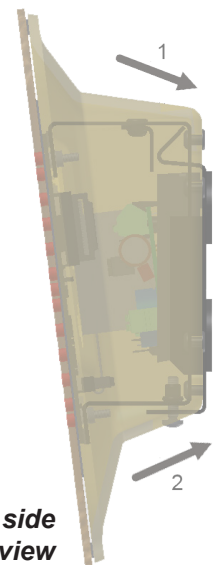
Back view



Wall bracket + electronic board



Right side cutaway view



2.3 Recess mounting Style 5-5S-7-7D-7S-10

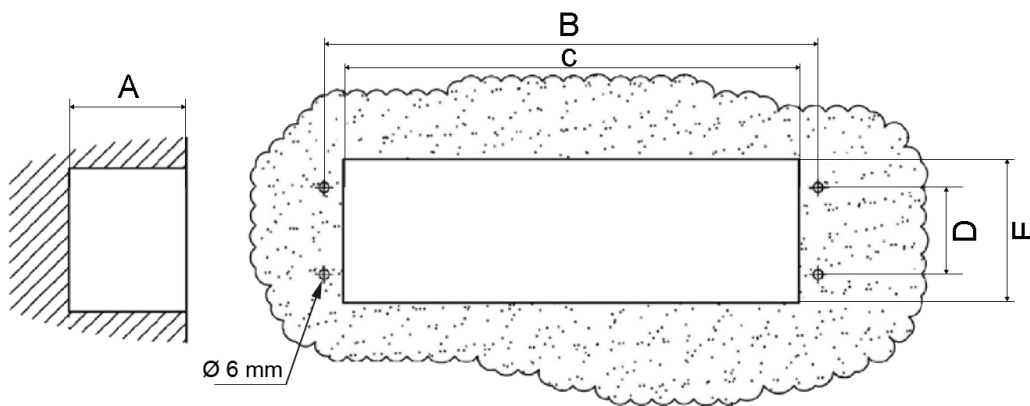
1) Mounting without back cover

According to the model of the clock make the cut-out following the dimensions listed in table below

	A	B	C	D	E
Style 5	46	275	241	68	107
Style 5S		400	365	68	107
Style 7		325	291	85	117
Style 7S		440	404	85	123
Style 7 Date		365	331	200	308
Style 10		424	406	100	165

Dimensions in mm

a) Insert the clock in the cut-out in order to mark the position of the mounting screws.

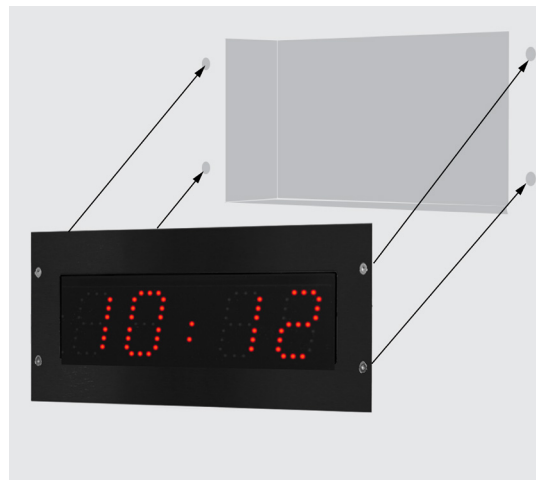


b) Remove the clock and drill 4 holes $\text{\O} 6\text{ mm}$ to insert the wall plugs.

c) Feed the power cable and the synchronisation cable through the cut-out

d) Connect the clock and set the time (refer to page 13).

e) Fix the clock to the wall with the 4 screws $\text{\O} 4\text{ mm}$



Installation **without** back cover

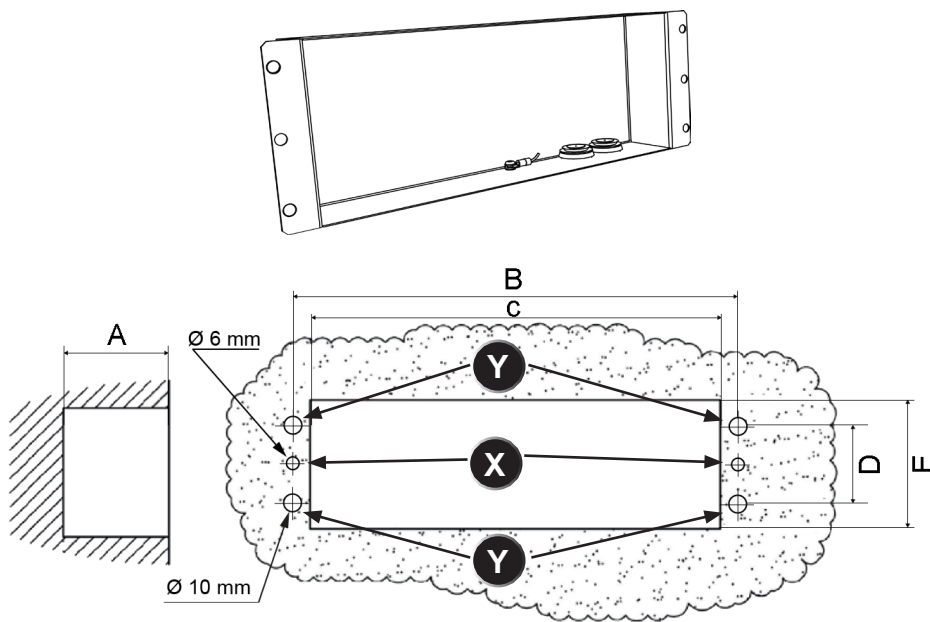
2) Mounting with back cover for recess mouting

According to the model of the clock make the cut-out following the dimensions listed in table below

	A	B	C	D	E
Style 5	46	275	241	68	107
Style 5S		400	365	68	107
Style 7		325	291	85	117
Style 7S		440	404	85	123
Style 7 Date		365	331	200	308
Style 10		424	406	100	165

Dimensions in mm

a) Insert the back cover in the cut-out in order to mark the position of the mounting screws.



b) Remove the back cover and drill 2 holes $\varnothing 6$ mm (**X**) to insert the wall plugs for the back cover mounting

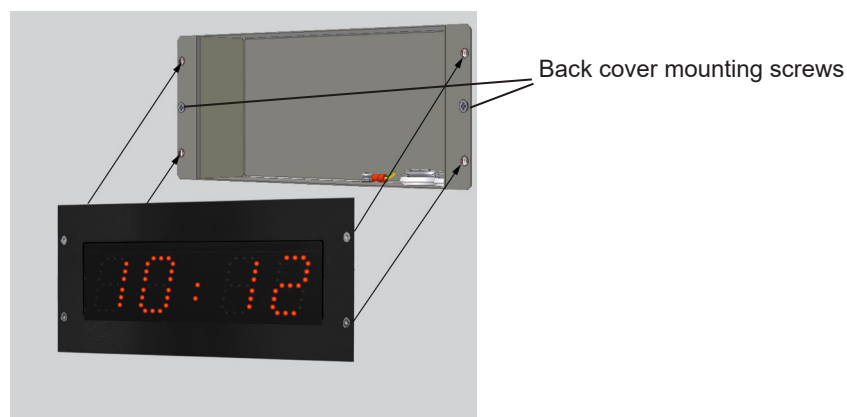
c) Drill 4 holes $\varnothing 10$ mm (**Y**) to make room for the back cover clock mounting rivets.

d) Feed the power cable, the synchronisation cable and the keypad cable through the cut-out and cable glands of the back cover.

e) Fix the back cover to the wall with the 2 screws $\varnothing 4$ mm

f) Connect the clock, adjust the brightness (page 7) and set the time (refer to page 10)

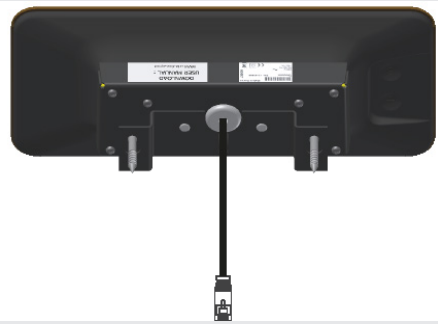
g) Fix the clock to the back cover with the 4 screws $\varnothing 4$ mm



Installation *with* back cover

2.4 Mounting - Style 7-7D-10-10S waterproof IP65

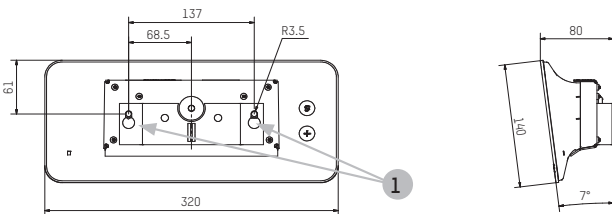
1) The clock is supplied wired and assembled. Before fitting it to the wall, connect the clock to the time distribution network in a dry environment.



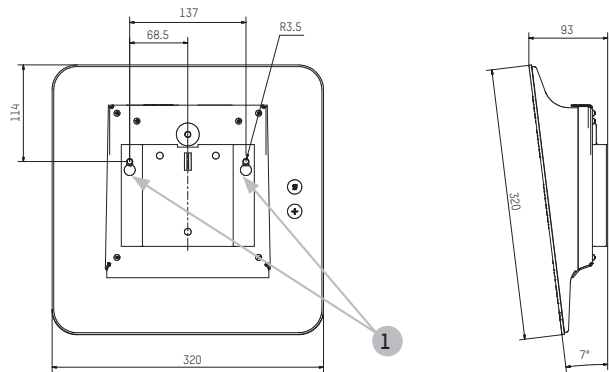
The RJ45 connector is already crimped on the ethernet cable (length about 1m 80). In case of a passage through a watertight box, cut the ethernet cable, pass the cable through the cable gland and crimp a new RJ45 plug into the box.

2) Attach the clock to the wall using the 2 hexagon-head screws **1** (used to tighten the bracket to the wall) with a Ø4mm dowel:

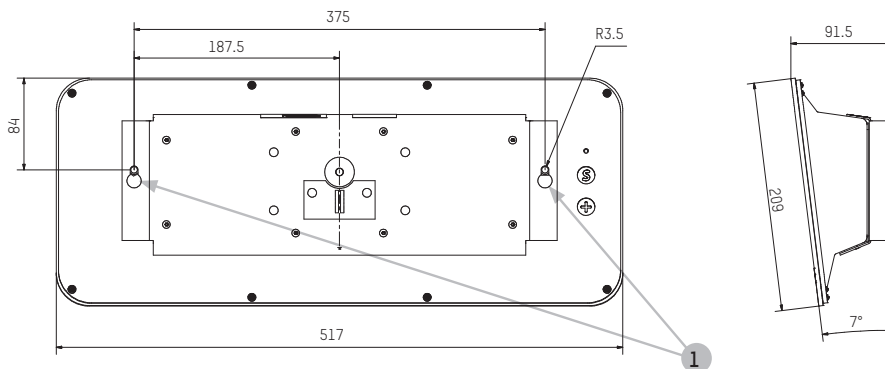
Style 7



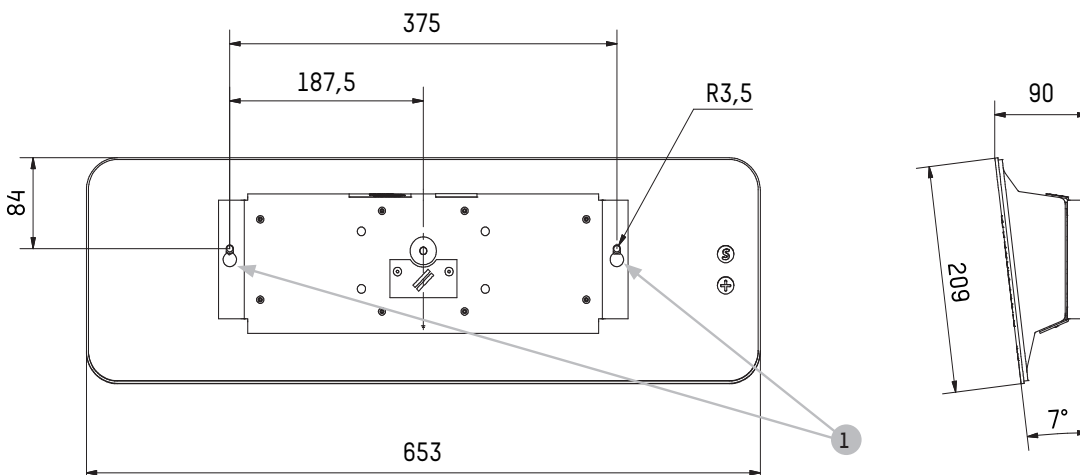
Style 7 Date



Style 10

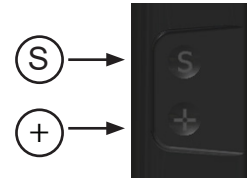


Style 10S



III – Location of "S" and "+" keys

- 1) These two keys are located on the back of the clock:
 - Right side: when viewed from the back
 - Left side: when viewed from the front (when being handled)



- 2) The "S" key is above the "+" key.

- 3) When pressed, an LED lights up to indicate the selected key.
Example (Style 7D) showing the two keys pressed simultaneously:



IV – Style 5S-7S-10S – Timer mode

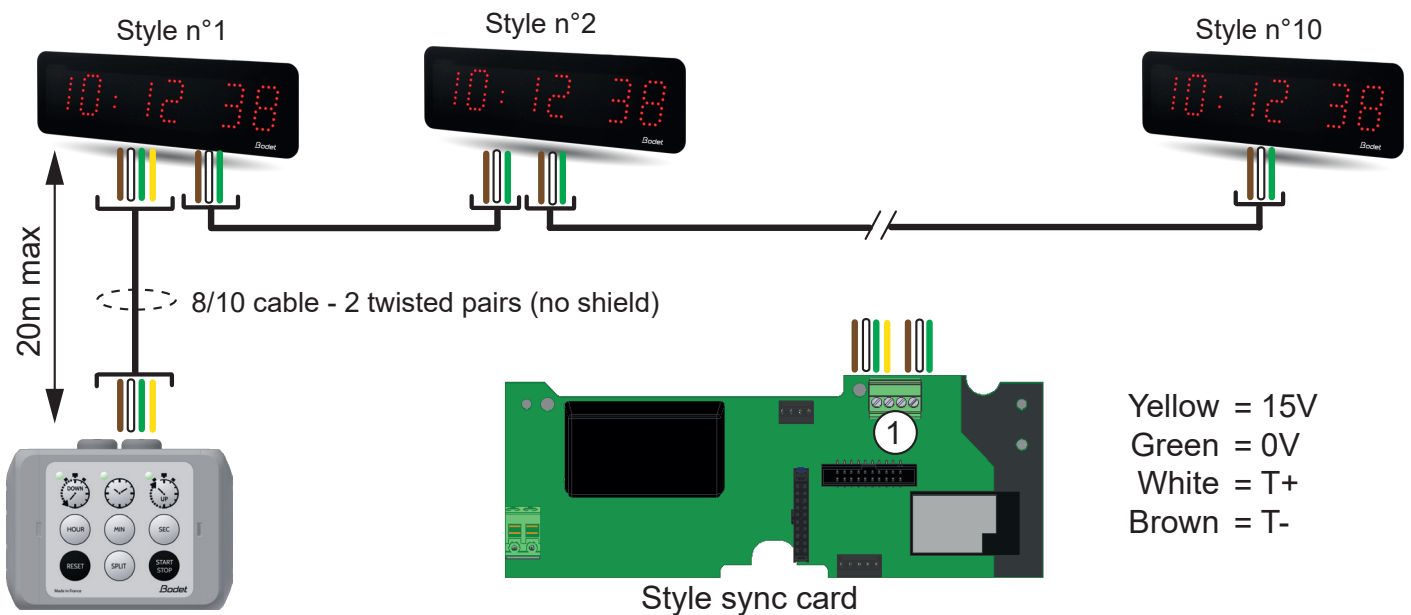
- 1) The Style Timer Controller keypad operates in count or countdown modes. It has the following functions: start, stop, split time, closure of a dry contact when the count or countdown ends (stops at a pre-programmed time).

The timer keypad can control up to ten Style 5S, Style 7S or Style 10S clocks.

The electronic board for Style 5S, Style 7S and Style 10S clocks is fitted with a connector strip (①).

- 2) Connect the Style Timer controller to the strip (①) using a 4-core cable (T-, T+, 0V and 15V) for the first clock.

Wiring example with three Style 5S clocks:



Double sided case:

- To display the counter on both sides connect the keypad on the master clock.
- To display the counter on only one side and the local time on the other side, connect the keypad on the slave clock.

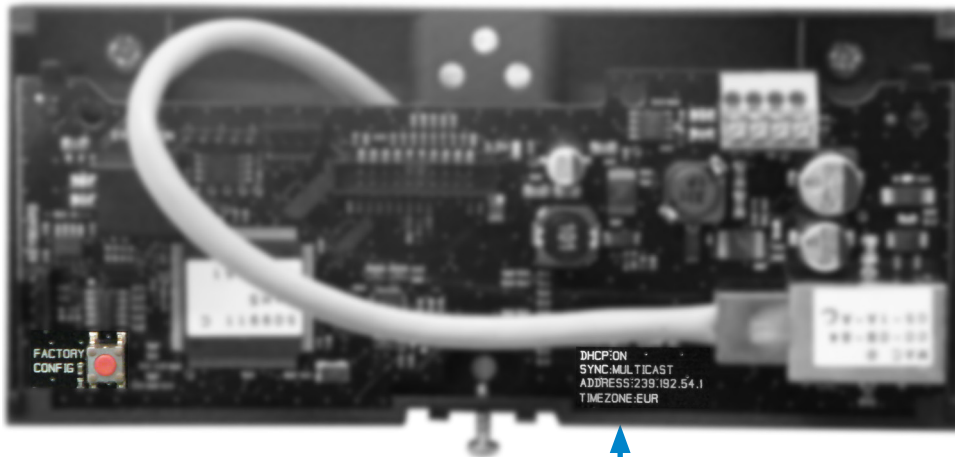
- 3) To link several Style 5S, Style 7S or Style 10S clocks to a single timer keypad, connect the T- and T+ terminals together using a 2-core cable (twin telephone cable). The first clock remains connected to the timer keypad via a 4-core cable.

- 4) For more information, please refer to the StyleTimer Controller instructions.

V – Default configuration

To restore factory settings, press the red button on the electronic board until the clock turns black. Open the clock to access this button (see Installation).

Location of button on the electronic board (e.g. a Style 5 clock):



The full factory configuration is as follows:

- IP configuration by DHCP (DHCP: ON)
- Time zone: EUR
- Synchronisation: Multicast
- Synchronisation address: 239.192.54.1

These four parameters are displayed on the electronic board.

- Clock name: BODET-@MAC
- Pool period for unicast synchronisation: 15 mins.
- SNMP disabled
- Trap type: V2C
- Temperature alarm threshold: -5°C to +55°C
- Trap status issue period: 24 hrs
- No password
- Luminosity: level 3
- 12 hr/24 hr mode: 24hr
- Eco mode: Nor
- ON & OFF time: 23 hrs OFF / 6 hrs ON

On the electronic board connector:

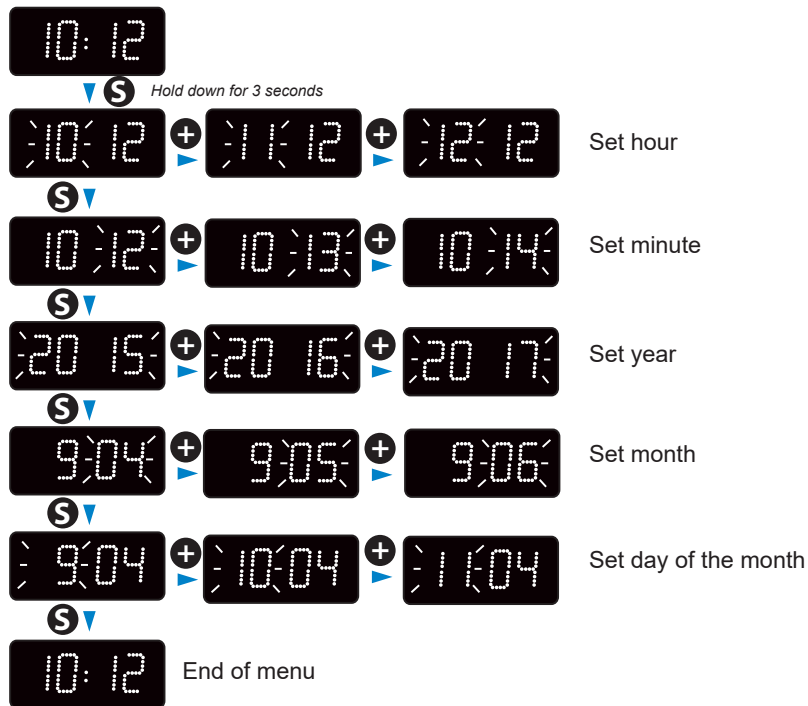
Green LED: network activity + power

Yellow LED: network type (ON = 100 m, OFF = 10 m)

VI – Basic configuration

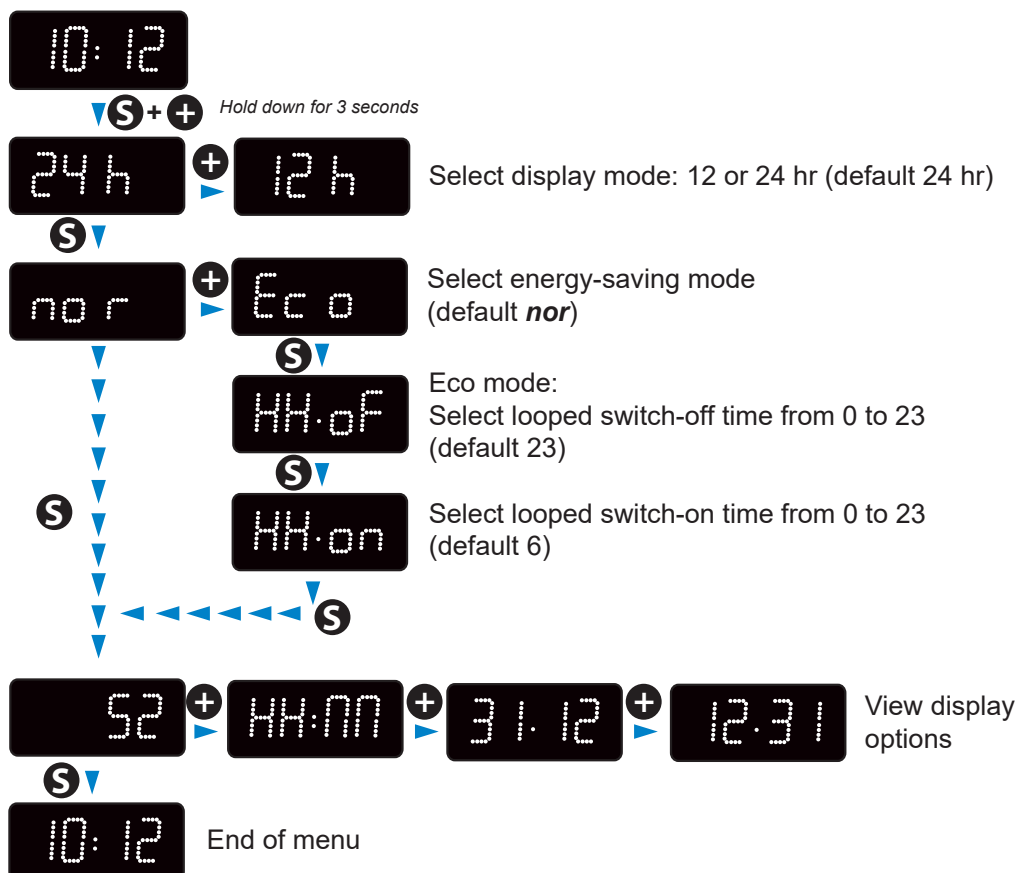
6.1 Setting time/date/year – all models except Style 7D-10D-10SD

To set time, date and year, press and hold "S" for 3 seconds.



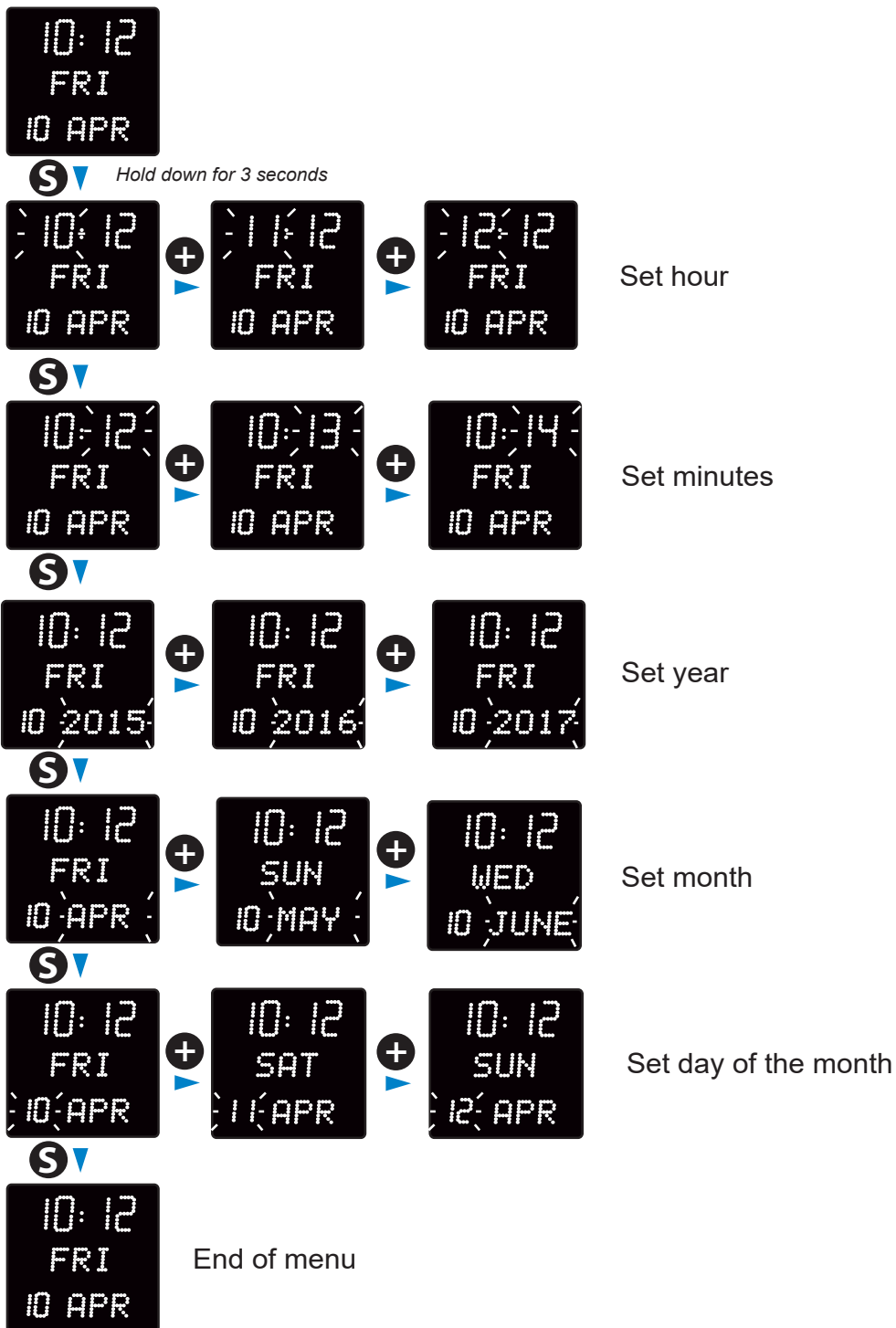
6.2 Configuration menu – all models except Style 7D-10D-10SD

Access the configuration menu by pressing and holding "S" then "+" for 3 seconds.



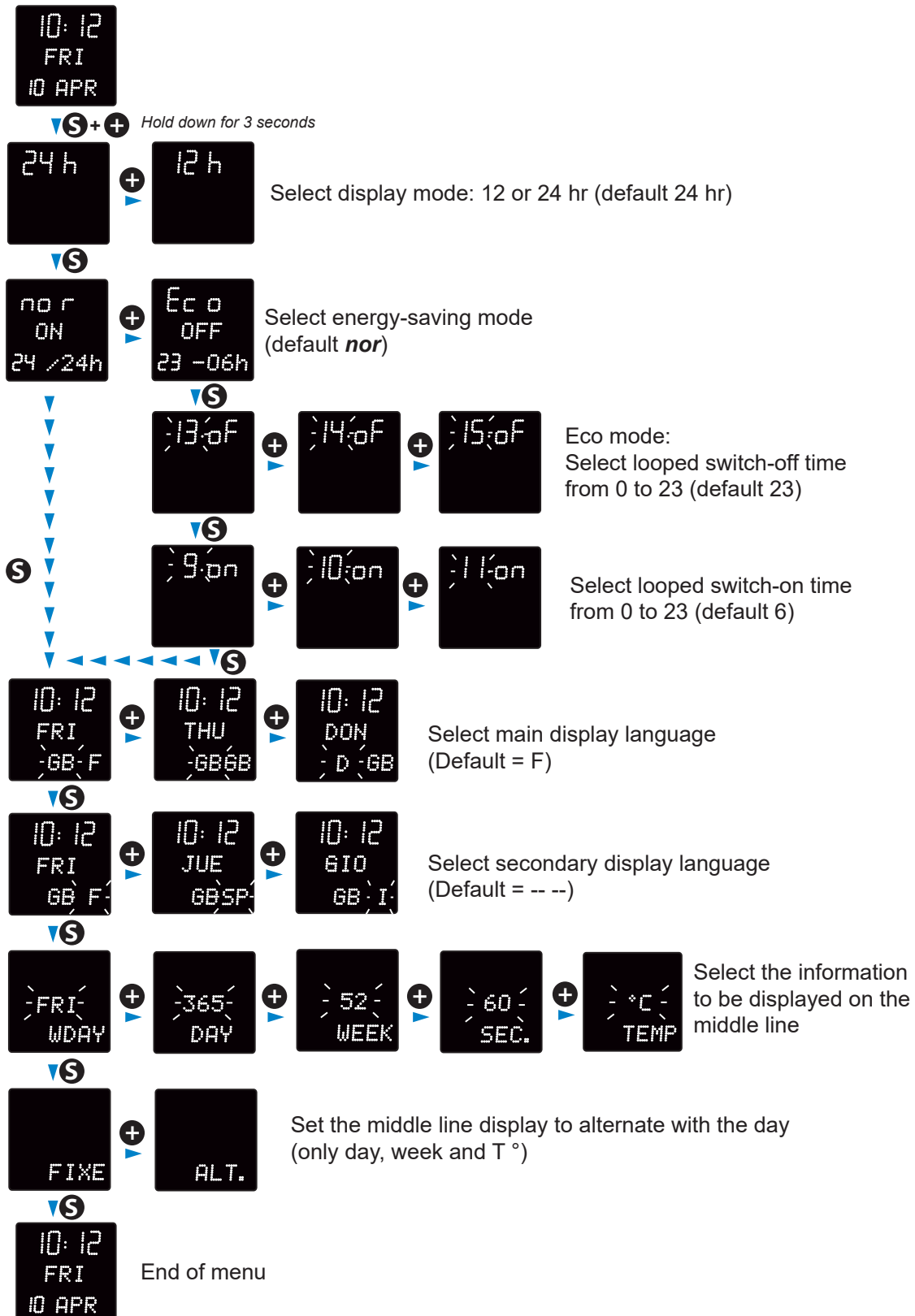
6.3 Setting time/date/year – Style 7D

To set time, date and year, press and hold "S" for 3 seconds.



6.4 Configuration menu – Style 7D

Access the configuration menu by pressing and holding "S" then "+" for 3 seconds.



Available display languages:

French (F), English (GB), German (D), Spanish (SP), Italian (I), Portuguese (P), Greek (GR), Dutch (NL), Denmark (DK), Norway (N), Swedish (S), Finland (FI), Poland (PL), Hungarian (HG), Russian (RU), Croatian (HR), Romanian (RO), Czech (CZ), Slovenian (CL), Arabic (AR), Turkish (TR) Catalan (CA), Basque (BA).

6.5 Setting time/date/year – Style 10D-10SD

To set time, date and year, press and hold "S" for 3 seconds.

The visuals below refer to the Style 10SD clock. However, the installation process shown also applies to Styles 10D because the seconds are not configurable.



S ▼ Hold down for 3 seconds



Set hour

S ▼



Set minutes

S ▼



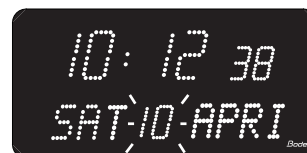
Set year

S ▼



Set month

S ▼



Set day of the month

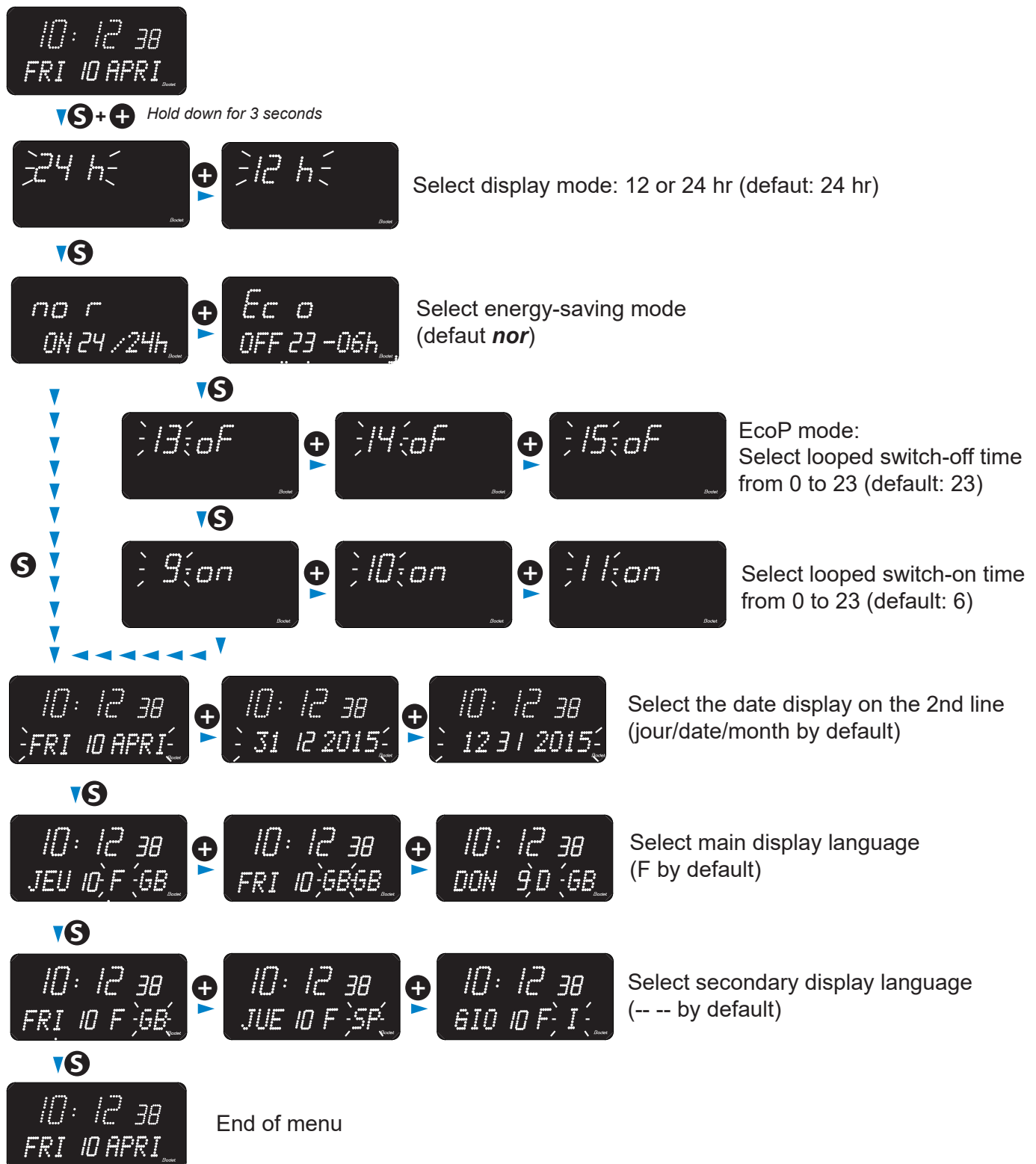
S ▼



End of menu

6.6 Configuration menu – Style 10D-10SD

Access the configuration menu by pressing and holding "S" then "+" for 3 seconds.

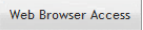


Available display languages:

French (F), English (GB), German (D), Spanish (SP), Italian (I), Portuguese (P), Greek (GR), Dutch (NL), Denmark (DK), Norway (N), Swedish (S), Finland (FI), Poland (PL), Hungarian (HG), Russian (RU), Croatian (HR), Romanian (RO), Czech (CZ), Slovenian (CL), Arabic (AR), Turkish (TR), Catalan (CA), Basque (BA).

VII – Web interface

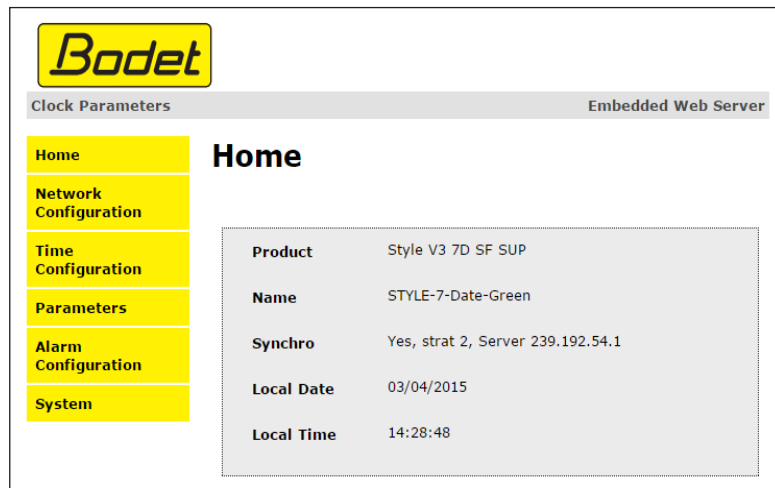
There are two ways to access the web interface to configure the clock:

- 1) Open a web browser and enter the IP address of the clock in the address bar.
- 2) Run BODET Detect software and click on  to open the appropriate web server for the networked clock (refer to the software instructions, ref.: 607548)

BODET Detect software can be used to:

- Detect all clocks on the network
- Configure each clock (individually or by copying the settings for one clock to a group of clocks)
- Update the clock's software version
- Check clock status
- Access downloaded MIB files

7.1 Home page



The clock web server home page contains general information about the clock.

The information is displayed as follows:

- **Product:** product type + SF (Single Face) + SUP (Supervised)
- **Name:** user-defined clock name
- **Synchro:** synchronisation status ("Strat 2" indicates that the clock is at the 2nd level from the synchronisation source) + IP address of the server on which the clock is synchronised.

Example:



- **Local date:** current date
- **Local time:** current time

7.2 Network configuration

Bodet

Clock Parameters Embedded Web Server

Home

Network Configuration

Time Configuration

Parameters

Alarm Configuration

System

Network Configuration

This page allows the configuration of the clock's network settings.

CAUTION: Incorrect settings may cause the clock to lose network connectivity.

Enter the new settings below:

MAC Address	<input type="text" value="00:0B:84:05:1A:A4"/>
Name	<input type="text" value="STYLE-7-Date-Green"/>
	<input checked="" type="checkbox"/> Enable DHCP
IP Address	<input type="text" value="10.17.10.118"/>
Subnet Mask	<input type="text" value="255.255.0.0"/>
Gateway	<input type="text"/>
DNS Address	<input type="text"/>
<input type="button" value="Save and Reboot"/>	

This page is used to configure the clock on the network. The warning indicates that the clock might lose network connectivity if the settings are incorrect.

The following information is displayed:

- **MAC Address:** This is the clock's MAC address. This address is unique to each device. This number is indicated on a label on the back of the Bodet clock.
- **Name:** User-defined clock name.
- **Enable DHCP checkbox:** If checked, the device's network IP settings will be configured automatically.
If this box is unchecked, the following settings are available:
- **IP Address:** Manually sets the device's IP address (required).
- **Subnet Mask:** The subnet mask associates a clock with the local network (required).
- **Gateway:** The gateway can be used to connect the clock to two data networks.
- **DNS Address:** This can be used to associate a domain name with an IP address. This avoids having to enter an IP address in the browser as a user-defined name can be used instead. For example: www.bodet.com is easier to remember than 172.17.10.88.

saves your configuration and reboots the clock.

7.3 Time and synchronisation configuration

Bodet
Clock Parameters Embedded Web Server

Time Configuration

Time Zone

Time Zone: Paris (GMT+01:00) [Save]

Synchronisation

NTP Mode: Multicast [Save]
 Address IP 1: 239.192.54.1
 Address IP 2: []
 Address IP 3: []
 Address IP 4: []
 Address IP 5: []
 Periodicity: 15 (1 to 999 minutes)
 Continue to display time after synchronisation failure [Save]

The Time Configuration page is divided into two parts. One is used to set the time zone, the other to set the synchronisation mode.

The following information is displayed:

- **Time Zone:** The time zone can be selected from the dropdown menu (summer/winter time is handled automatically depending on the selected time zone).

Select “PROG” in the dropdown menu to set time, month, fixed day or schedule for time changeovers.

- **GMT Offset :** choice of minutes in steps of 0/15/30/45.

Bodet
Clock Parameters Embedded Web Server

Time Configuration

Time Zone

Time Zone: PROG. [Save]
 GMT Offset: + 0H 0
 Enable Time Changeovers
 Summer Time: March last Sunday
 Winter Time: October last Sunday [Save]

Synchronisation

NTP Mode: Multicast [Save]
 Address IP 1: 239.192.54.1
 Address IP 2: []
 Address IP 3: []
 Address IP 4: []
 Address IP 5: []
 Periodicity: 15 (1 to 999 minutes)
 Continue to display time after synchronisation failure [Save]

- **NTP Mode:** Used to select one of 3 mode types:
 - o **Unicast:** In Address IP 1, enter the IP address of the NTP server. In this case, it is the clock that calls the NTP server.
It is also possible to set up redundancy (if the first server fails to respond, the second is requested and so on). For this purpose up to 5 server addresses may be entered (IP address 1/2/3/4/5).
The Periodicity field sets the frequency with which the clock requests the configured NTP servers.
 - o **Multicast:** In this case, the NTP server broadcasts the time on the Multicast address given to it. The Multicast address of the clients (receivers) must be the same as that on which the server broadcasts.
By default, Bodet products transmit or receive using the Multicast address: 239.192.54.1
The Multicast addresses are included between 224.0.0.0 and 239.255.255.255.
 - o **By DHCP:** As for Unicast mode, except the NTP server addresses are automatically retrieved via the DHCP server (option 42 enabled on the DHCP server).

The checkbox "Continue to display" is used to define how the clock should respond if NTP synchronisation has been lost for 48 hours:

- If "Continue to display" is OFF, the clock blacks out and the colon is fixed.
- If "Continue to display" is ON, the clock continues to operate using its internal time base and the colon «:» ceases to flash.

 Save

is used to save any settings made on this page.

7.4 Parameters

Bodet

Clock Parameters Embedded Web Server

Parameters

Display

Luminosity Level 2

Mode 12H/24H 12H 24H

Eco Mode Eco Normal

ON & OFF Time 23 H : OFF 6 H : ON
 Customize

Language Français English

Central Display Week day

Alt. Fixed
 Alternate display is not compatible with Day or Seconds display

Save

This page allows you to set the clock display on the network.

The information displayed is described below:

- **Luminosity:** Used to set clock brightness between 4 levels from 1 (low) to 4 (high). Default brightness is 3.
- **Mode 12H/24H:** Used to display the time in 12- hour or 24-hour mode. Example: 8:00 (in 12-hour mode) or 20:00 (in 24-hour mode).
- **Eco Mode:** Used to enable the clock's energy-saving mode. In Eco mode, the clock displays the flashing colon and is set to minimum brightness (level 1). This mode is set for a period configured below (ON & OFF Time). This mode is disabled if the user opens the configuration menu (using the "S" and "+" keys) or changes the settings on the web server or if the clock is rebooted.
- **ON & OFF Time:** Used to define the period when Eco mode is enabled. This mode is only enabled when the status changes. Example: if Eco mode is set at 8:30 for 8:00 (day D), the clock switches to this mode at 8:00 on the following day (D+1).
- **Language:** Only available on Style 7 Date. This parameter displays the default language of the Style 7 Date. Two drop-down menus are available to switch languages.
- **Central Display:** Only available on Style 7 Date. This parameter allows you to choose the information that will be displayed on the centre line. It is possible to display the alternation of week number and selected centre information.

Save

is used to save any settings made on this page.

7.5 Alarm configuration

This page is used to enable clock supervision, to define the information to be transmitted and the destination server. One or more settings can be defined and configured as alarms.

The following information is displayed:

- **Enable SNMP checkbox:** enables monitoring of the clock from a SNMP manager.
- **Community:** A set of clocks defined by the user. All the clocks on the network must have the same Community name.
- **Enable SNMP Trap:** If enabled, error messages are sent to the SNMP Manager(s) automatically.
- **SNMP Manager 1/2/3:** IP addresses of servers receiving alerts from the clocks. SNMP Manager redundancy increases the reliability of alerts.
- **Synchronisation failure:** This setting is used to detect synchronisation discrepancies with the master clock (type Sigma) or the time server (type Netsilon).

Multicast: Alarm triggered when the multicast synchronisation is absent for at least 1 hour

Unicast: Alarm triggered when the unicast synchronisation is absent for 3 times the duration of the poll (periodicity) and at least 1 hour (allowing for the NTP server maintenance)

- **Reboot:** This setting is used to detect a clock reboot.
- **Temperature:** This setting is used to warn that the temperature range has been exceeded (variable temperature range).
- **Manipulation:** This setting is used to trigger an alert if a setting is changed manually on the clock (using the "S" and "+" keys).
- **Server access:** This setting is used to trigger an alert if a user connects to the web server of the clock.

- **Authentication failure:** This setting is used to trigger an alert if a user sends an incorrect ID to the web server of the clock.
- **Periodic Status:** This setting is used to verify that the device is still working correctly (in case alerts are “lost”). This verification is carried out at a set frequency.



Information: The errors or faults reported are **minor** and a visit by a maintenance technician to correct the fault is not strictly necessary.



Warning: The errors or faults reported are **significant** and a visit by a maintenance technician to correct the fault is necessary.



Critical: The errors or faults reported are **serious** and an urgent visit by a maintenance technician to correct the fault is necessary.

Save

Send status trap

used to save any settings made on this page.

is used to send a trap status to all of the configured SNMP managers to ensure that supervision is configured correctly.

7.6 System

Bodet

Clock Parameters Embedded Web Server

System

Firmware V1.1A01 03/04/15
Uptime 0d 00h 09m
DateCode 1516

CAUTION: The correct password is required for the connection with the Embedded Web Server.

Enable authentication

Username
New Password
Confirm New Password

CAUTION: Reboot will cause the loss of the network connection.

CAUTION: Factory configuration will cause the loss of all your parameters and may cause the Melodys to lose network connectivity.

This page is divided into four parts as follows:

Part 1: Information panel displaying software version, time elapsed since the clock was powered on and the date of manufacture of the product (year/week).

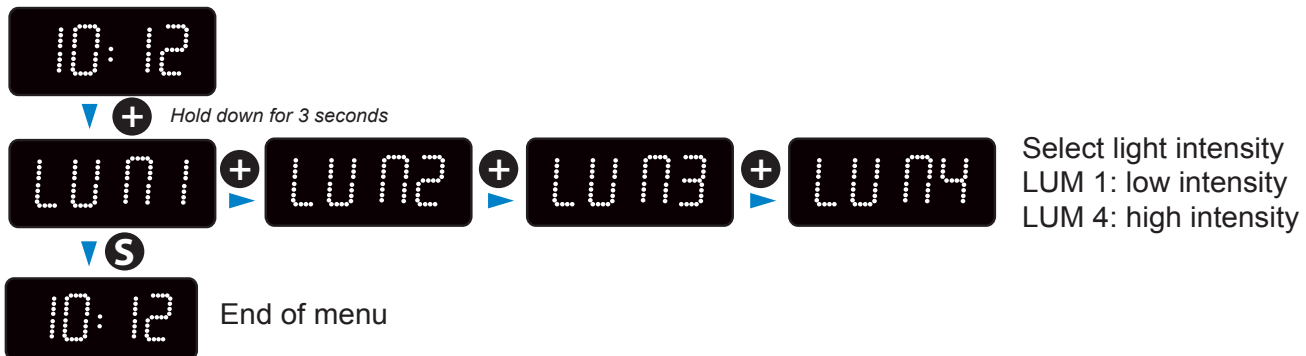
Part 2: A warning message to inform the user that once set, the correct password must be used to establish the connection with the web server. To save a user name and password, enter the information in the fields provided for this purpose. Click to store your new ID and password.

Part 3: A warning message to inform the user that a clock reboot will cause network connectivity to be lost when the reboot occurs. The button reboots the clock.

Part 4: A warning message to inform the user that a reboot restoring factory settings will delete all user-defined settings and may cause the clock to lose network connectivity if there is no DHCP server on the network. The button reboots the clock, restoring factory settings.

VIII – Adjusting the brightness

Brightness can be adjusted when the Style clock is in normal operating mode, i.e. when it is neither in the configuration menu nor in the set time menu. The default brightness is level 3.



IX – Memory backup

Style clocks have a permanent backup feature which stores all of the configuration parameters and display settings, even in the event of prolonged power failure.

X – Technical specifications

- Synchronisation: RFC 2030 (SNTP V4) compliant, Unicast, Multicast or via DHCP
- Synchronisation status: colon flashes if the clock is synchronised; colon steady then blackout if a clock is not synchronised
- Network connection: 10Base-T/100Base-TX
- Power supply: PoE (Power over Ethernet)
- Accuracy: ± 0.1 s with automatic changeover to summer/winter time
- Operating temperature: -5°C to $+55^{\circ}\text{C}$
- Protection rating: IP30, IK07 (standard Style)
- Protection rating: IP65, IK07 (waterproof Style)
- Directives: EMC 2014/30/EU, LVD 2014/35/EU, RED 2014/53/EU.

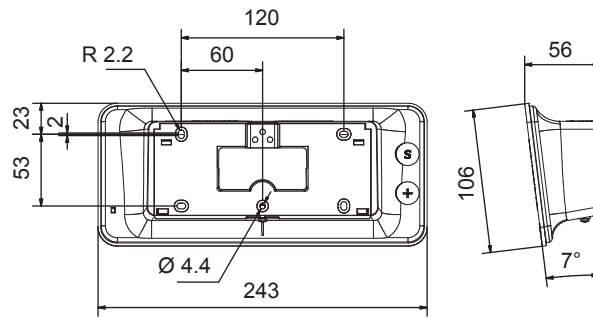
Power consumption:

		Power supply	Red/Green/Yellow LEDs	White/Blue LEDs
Style 5-Style 7	NTP receiver	PoE	3 W	1.5W
Style 5S - Style 7E - 7S	NTP receiver	PoE	3.4 W	1.7W
Style 7D	NTP receiver	PoE	6.5W	2.2 W
Style 10	NTP receiver	PoE	4.8 W	1.9 W
Style 10S	NTP receiver	PoE	6 W	2 W
Style 10D	NTP receiver	PoE	8 W	2,6 W
Style 10SD	NTP receiver	PoE	9.7 W	3 W

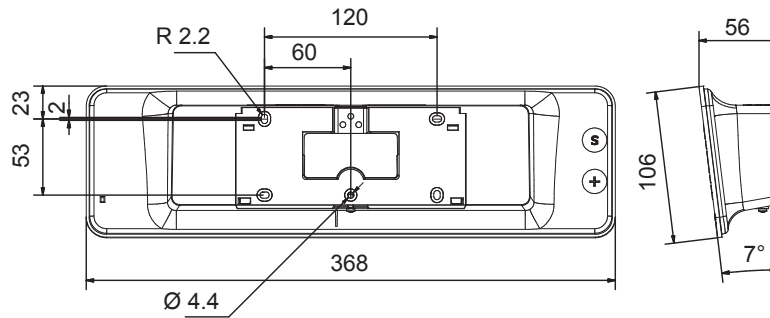
In the domestic environment, these products may cause radio interference, in which case the user must take the appropriate measures. They are designed for a residential, commercial or light industrial environment. They are compliant with the European standards in force.

Style 5

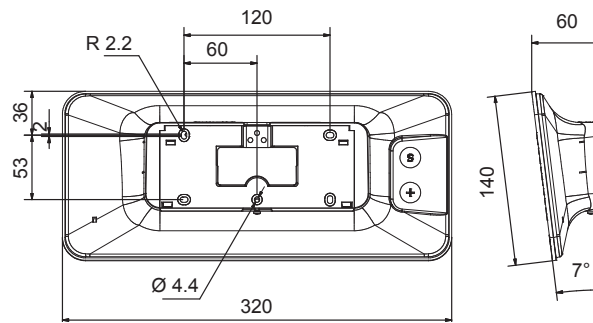
– Weight: 0.25 kg

**Style 5S**

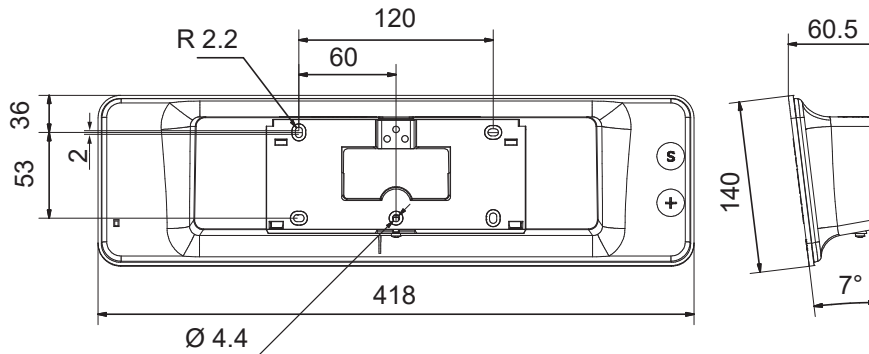
– Weight: 0.37 kg

**Style 7**

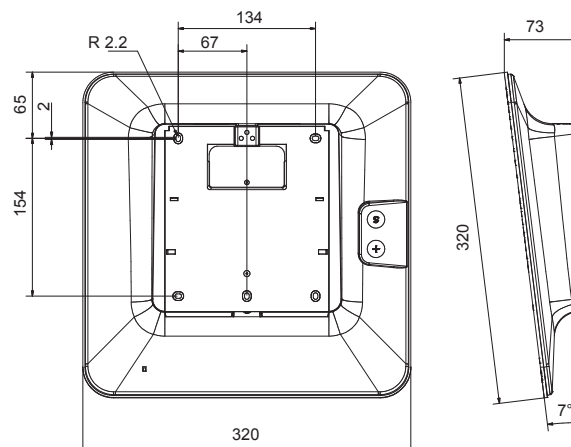
– Weight: 0.4 kg

**Style 7S**

– Weight: 0.6 kg

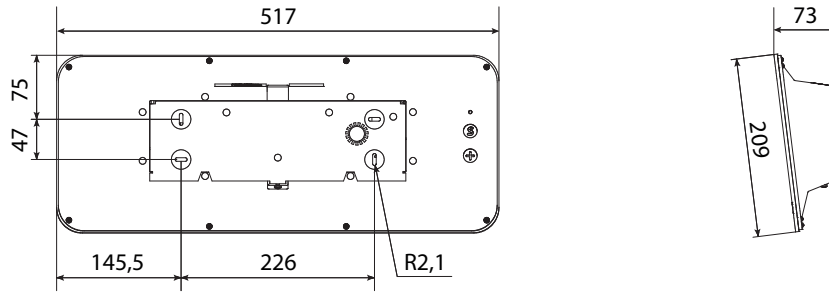
**Style 7D & Style 7E**

– Weight: 0.965 kg

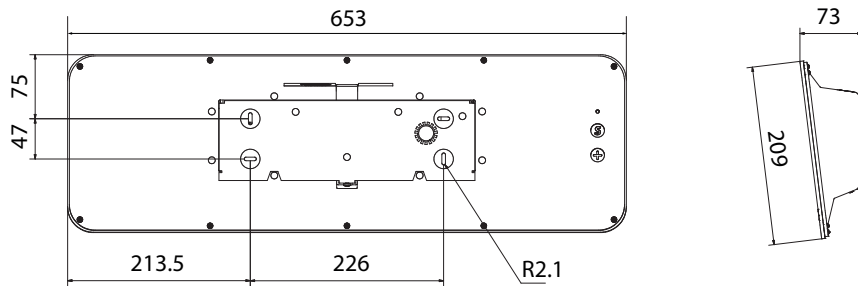


Style 10

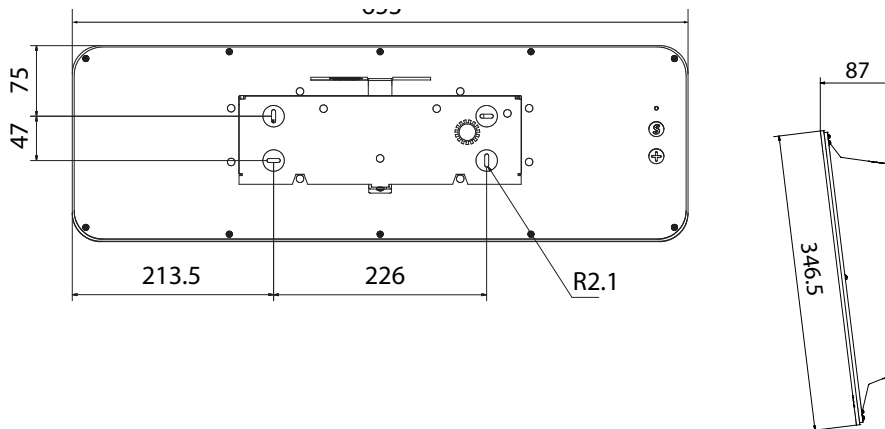
– Weight: 1.8 Kg

**Style 10S**

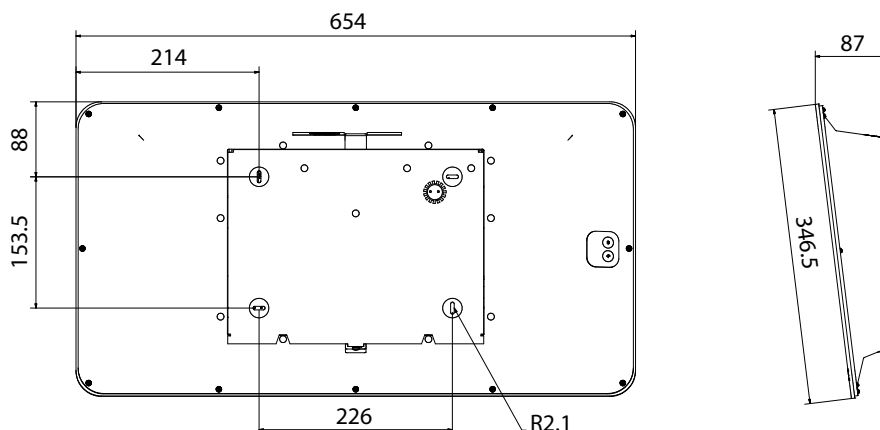
– Weight : 2.8 Kg

**Style 10D**

– Weight: 4 Kg

**Style 10SD**

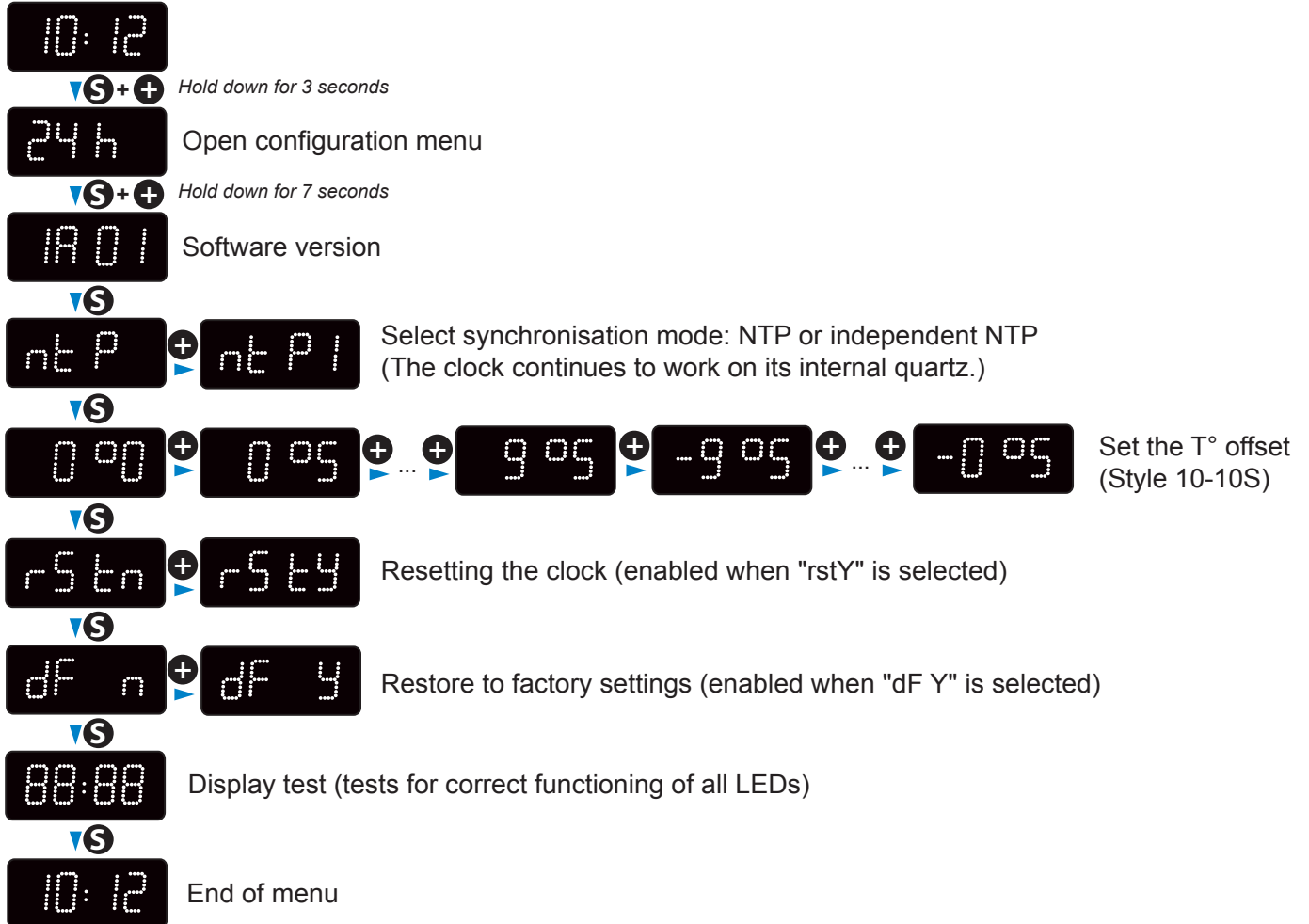
– Weight : 4 Kg



XI – Maintenance menu

To access the maintenance menu, open the configuration menu by pressing and holding "S" then "+" for 3 seconds. Release both keys, then press and hold "S", then "+" again for 7 seconds.

11.1 Maintenance menu – all models except Style 7D-7E-10D-10SD



11.2 Maintenance menu – Style 7D-7E

10:12
FRI
10 APR

▼ **S** + **+** *Hold down for 3 seconds*

24h

Open configuration menu

▼ **S** + **+** *Hold down for 7 seconds*

1R01

Software version

▼ **S**

n t P

▶ **+** n t P 1

Select synchronisation mode: NTP or independent NTP

▼ **S**

0°0

▶ **+** 0°5

▶ **+** ... ▶ **+**

9°5

▶ **+** -9°5

▶ **+** ... ▶ **+**

-0°5

Set the T° offset
(Style 7D-7E)

▼ **S**

r5 t n

▶ **+** r5 t y

Resetting the clock (enabled when "rstY" is selected)

▼ **S**

dF n

▶ **+** dF y

Restore to factory settings (enabled when "dF Y" is selected)

▼ **S**

88:88
■■■■
88 ■■■■

Display test (tests for correct functioning of all LEDs)

▼ **S**

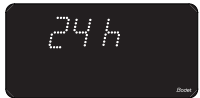
10:12
FRI
10 APR

End of menu

11.3 Maintenance menu – Style 10D-10SD



⏏️Ⓢ+⊕ Hold down for 3 seconds



Open configuration menu

⏏️Ⓢ+⊕ Hold down for 7 seconds



Software version

⏏️Ⓢ



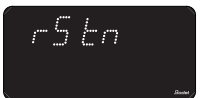
Select synchronisation mode: NTP or independent NTP

⏏️Ⓢ



Set the T° offset

⏏️Ⓢ



Resetting the clock (enabled when 'rstY' is selected)

⏏️Ⓢ



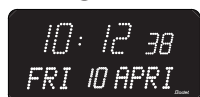
Restore to factory settings (enabled when 'dF Y' is selected)

⏏️Ⓢ



Display test (tests for correct functioning of all LEDs)

⏏️Ⓢ



End of menu

XII – What to do if...

What to do if...	Check that...
<p>There is no synchronisation after installation.</p>	<ol style="list-style-type: none"> 1) The signal type sent by the master clock is the same as the clock's signal type (IE NTP). 2) The IP address of the server is the same as the clock's web interface and the receiver. 3) The NTP server is on the same network as the slave (IP addresses, subnet mask and gateways).
<p>The NTP slave is not set to the correct time.</p>	<ol style="list-style-type: none"> 1) The time zone selected on the web server is correct.
<p>There is no DHCP server on the network.</p>	<ol style="list-style-type: none"> 1) The default network configuration on the clock is as follows: <ul style="list-style-type: none"> – IP: 172.17.30.110 – MASK: 255.255.0.0 – GATEWAY: 0.0.0.0 – DNS: 0.0.0.0
<p>One of the Style clocks does not switch on or repeatedly reboots.</p>	<ol style="list-style-type: none"> 1) The maximum power from the PoE switch is sufficient to supply all of the clocks connected to the switch. 2) Cable length is less than 100 metres (refer to the network wiring standards). 3) All switch outputs are PoE-compatible..

XIII - Appendix

13.1 Changing the time according to the time zone

	UTC offset		Winter/summer		Summer/winter	
	HH	MM	Date	Time	Date	Time
ZH_HAWAI	-10	00	Not applicable		Not applicable	
ZH_L_ANGELES	-8	00	Last Sunday March	2:00 Local	1e Sunday November	2:00 Local
ZH_COLORADO	-7	00	Last Sunday March	2:00 Local	1e Sunday November	2:00 Local
ZH_CHICAGO	-6	00	Last Sunday March	2:00 Local	1e Sunday November	2:00 Local
ZH_NEW_YORK	-5	00	Last Sunday March	2:00 Local	1e Sunday November	2:00 Local
ZH_SANTIAGO	-4	00	2e Sunday April	23:59 Local	1e Sunday November	23:59 Local
ZH_ACORES	-1	00	Last Sunday March	0:00 Local	Last Sunday October	1:00 Local
ZH_LONDRES	0	00	Last Sunday March	1:00 Local	Last Sunday October	2:00 Local
ZH_PARIS	1	00	Last Sunday March	2:00 Local	Last Sunday October	3:00 Local
ZH_HELSINKI	2	00	Last Sunday March	3:00 Local	Last Sunday October	4:00 Local
ZH_MOSCOU	3	00	Summer time all year round		Summer time all year round	
ZH_ABU_DHABI	4	00	Not applicable		Not applicable	
ZH_CALCUTTA	5	30	Not applicable		Not applicable	
ZH_BANGKOK	7	00	Not applicable		Not applicable	
ZH_SINGAPOUR	8	00	Not applicable		Not applicable	
ZH_TOKYO	9	00	Not applicable		Not applicable	
ZH_ADELAIDE	9	30	Last Sunday October	2:00 Local	Last Sunday April	4:00 Local
ZH_SYDNEY	10	00	1e Sunday October	2:00 Local	1e Sunday April	3:00 Local
ZH_NOUMEA	11	00	Not applicable		Not applicable	
ZH_MARTINIQUE	-4	00	Not applicable		Not applicable	
ZH_GUYANE	-3	00	Not applicable		Not applicable	
ZH_REUNION	4	00	Non applicable		Non applicable	
ZH_PROG	Programmable		Programmable	2:00 Local	Programmable	3:00 Local

I – Vérification initiale

Nous vous remercions d'avoir choisi une horloge BODET.

Ce produit a été conçu avec soin pour votre satisfaction d'après les bases qualité ISO9001. Nous vous recommandons, de lire attentivement ce manuel ainsi que les consignes générales de sécurité et précautions d'utilisation avant de commencer à manipuler l'horloge.

Conserver ce manuel pendant toute la durée de vie de votre horloge afin de pouvoir vous y reporter à chaque fois que cela sera nécessaire.

Données non contractuelles. Bodet se réserve le droit d'apporter aux appareils certaines modifications fonctionnelles, techniques, esthétiques, ou de couleurs, sans préavis.

Tout usage non conforme à la présente notice peut causer des dommages irréversibles sur l'horloge, et entraîne l'annulation de la garantie.

La présente notice concerne les modèles «NTP». Pour les autres modèles, se reporter à la notice correspondante.

La présente notice concerne les modèles d'horloges suivantes:

Style 5: affichage des heures et minutes par chiffres de 5 cm.

Style 5S (seconde): affichage des heures, minutes et secondes par chiffres de 5 cm.

Style 7: affichage des heures et minutes par chiffres de 7 cm.

Style 7D (date): affichage des heures, des minutes, de la date, du jour et de la semaine. Hauteur des chiffres 7 cm et des lettres 5 cm.

Style 7E (ellipse): affichage des heures et des minutes avec la seconde tournante sur ellipse. Hauteur des chiffres 7 cm.

Style 7S (seconde): affichage des heures et minutes par des chiffres de 7 cm. Affichage des secondes par des chiffres de 5 cm.

Style 10: affichage des heures et minutes par chiffres de 10 cm.

Style 10S (seconde): affichage des heures et minutes par chiffres de 10 cm, des secondes par des chiffres de 7 cm.

Style 10D (date): affichage des heures, des minutes, de la date, du jour et de la semaine. Hauteur des chiffres 10 cm et des lettres 7 cm.

Style 10SD (seconde - date): affichage des heures et minutes par des chiffres de 10 cm, des secondes ainsi que de la date, du jour et de la semaine par des chiffres de 7 cm.

1.1 Déballage de l'horloge

Déballer soigneusement l'horloge et vérifier le contenu de l'emballage. Celui-ci doit comprendre :

- L'horloge Style,
- Un manuel ou guide de démarrage rapide.

- **IMPORTANT : marquage étiquette produit.**

Une étiquette signalétique, apposée au dos de l'horloge est visible. Elle indique un lien URL permettant de télécharger cette notice

1.2 Nettoyage

Utiliser un produit antistatique.

Ne jamais utiliser d'alcool, d'acétone ou autres solvants susceptibles d'endommager l'horloge.

1.3 Pré-requis

Pour la mise en service des horloges, vous devez installer le logiciel «BODET Detect».

Ce logiciel est disponible en téléchargement en cliquant sur l'icône ci-dessous.

**Téléchargement du logiciel
Bodet Detect :**



Note : la prise réseau sur laquelle est connectée l'horloge BODET doit être PoE par l'intermédiaire d'un switch PoE ou d'un injecteur PoE (802.3af, classe 3: multicast, classe 0 : unicast).

Nous recommandons les marques suivantes :

- Injecteurs PoE : Zyxel, Tp Link, D-Link, HP, Cisco, Axis, ITE Power Supply, PhiHong, Abus, Globtek.
- Switches PoE : D-Link, HP, Planet, Zyxel, Cisco, NetGear, PhiHong.

Lors de l'installation, choisir l'emplacement où sera installée l'horloge en privilégiant un endroit exempt de parasites électriques (transformateur, ...).

Note : Sur une horloge double face, des incompatibilités peuvent exister entre l'horloge maître et esclave dans le cas où l'une des horloges est en version V1.1B11 (ou inférieure) et l'autre en version V2.1A06 (ou supérieure). Il est recommandé de mettre l'horloge avec la version la plus récente en horloge maître.

II – Installation mécanique

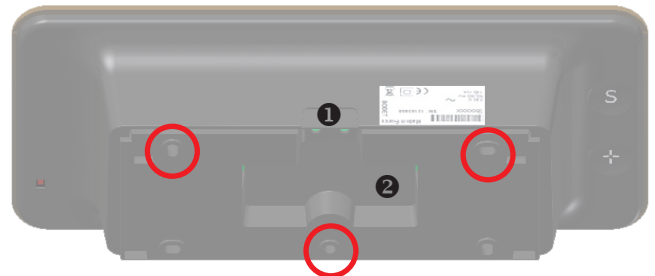
2.1 Montage mural Style 5-5S-7-7D-7E-7S

Les visuels ci-après sont relatifs à une horloge Style 5. Cependant, le principe de montage est identique aux Style 5S, 7, 7D et 7E. Reportez vous aux caractéristiques techniques page 56 afin de visualiser les dimensions des horloges.

1) Fixer le support mural au mur à l'aide des 3 vis Ø 4mm. + chevilles Ø 6mm

2) Faire passer le câble réseau RJ45 :

- Par le dessus : découper le boîtier en partie haute ❶ et faire passer le câble par l'arrière.
- Directement par l'arrière : espace dédié ❷.



Face arrière

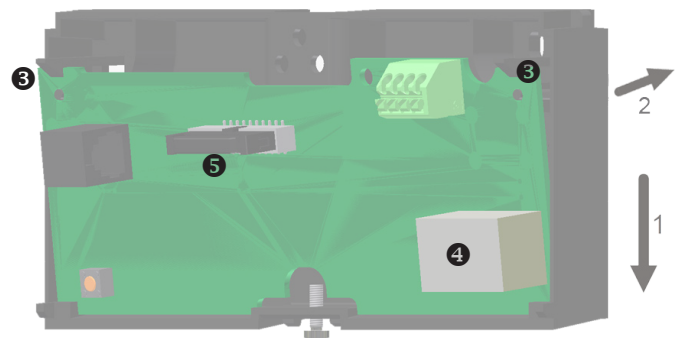
3) Fixer le support mural au mur puis clipser la carte électronique.

Caler le bas de la carte électronique au fond du support mural puis pousser la partie haute de la carte au fond du support jusqu'au clic ❸.

4) Raccorder le câble réseau RJ45 sur le connecteur de la carte électronique ❹.

L'alimentation est assurée par le réseau Ethernet PoE.

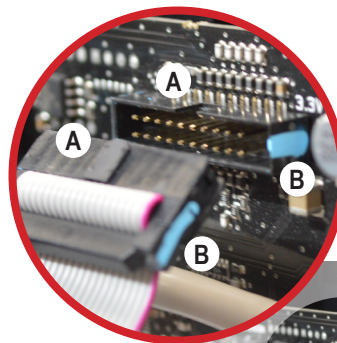
5) Fixer le câble réseau sur la carte électronique à l'aide d'un collier plastique (trou de fixation prévu sur la carte électronique).



Support mural +
carte électronique

6) Fixer la nappe des modules LED (boîtier horloge) sur la carte électronique ❻.

ATTENTION : Veiller à respecter le sens de câblage de la nappe afin de ne pas détériorer le produit. Un détrompeur (A) ainsi qu'un marquage (B) sont présents afin de vous indiquer le sens à respecter.



7) Clipser l'horloge sur son support en plaçant le haut de l'horloge au fond du support dans les logements dédiés, puis rabattre l'horloge jusqu'au déclic.

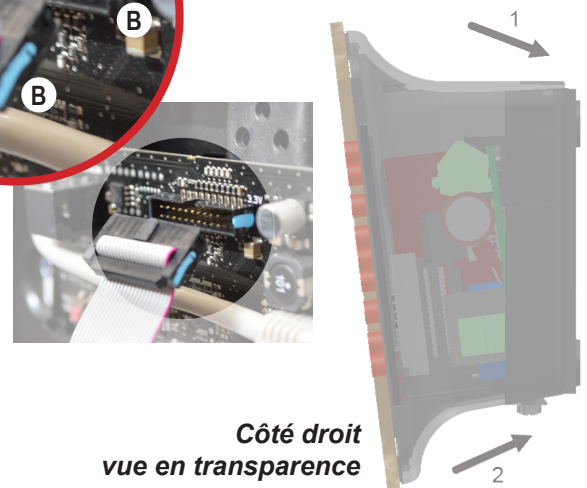
Verrouiller l'horloge sur le support avec la vis de fixation en partie basse.

Prendre garde de ne pas coincer les câbles lors de cette opération.

8) L'horloge pourra ultérieurement être déclipée de son support, en tirant vers soi la partie basse de l'horloge, puis en la dégageant par le haut.

9) Ôter la feuille de protection de la façade, et nettoyer l'horloge à l'aide du chiffon antistatique.

Important : concernant l'installation double face sur potence, se reporter à la notice des supports, réf.: 607847 (livrée avec le support).



Côté droit
vue en transparence

2.2 Montage mural Style 10-10S-10D-10SD

Les visuels de l'installation murale sont relatifs à une horloge Style 10. Cependant, le principe de montage est identique à une Style 10S. Reportez vous aux caractéristiques techniques page 56 afin de visualiser les dimensions des horloges.

1) Fixer le support mural au mur à l'aide des 4 vis Ø 4mm. + chevilles Ø 6mm

2) Faire passer le câble réseau RJ45 :

- Par le dessus : découper le boîtier en partie haute, entre les deux étiquettes ❶.
- Par l'arrière : espace dédié ❷.

3) Fixer le support mural au mur puis clipser la carte électronique. Caler le bas de la carte électronique au fond du support mural puis pousser la partie haute de la carte au fond du support jusqu'au clic ❸.

4) Raccorder le câble réseau RJ45 sur le connecteur de la carte électronique ❹. L'alimentation est assurée par le réseau Ethernet PoE.

5) Fixer le câble réseau sur la carte électronique à l'aide d'un collier plastique (trou de fixation prévu sur la carte électronique).

6) Fixer la nappe des modules LED (boîtier horloge) sur la carte électronique ❺.

ATTENTION : Veiller à respecter le sens de câblage de la nappe afin de ne pas détériorer le produit. Un détrompeur (A) ainsi qu'un marquage (B) sont présents afin de vous indiquer le sens à respecter.

7) Clipser l'horloge sur son support en plaçant le haut de l'horloge au fond du support dans les logements dédiés, puis rabattre l'horloge jusqu'au déclic. Verrouiller l'horloge sur le support avec la vis de fixation en partie basse.

Prendre garde de ne pas coincer les câbles lors de cette opération.

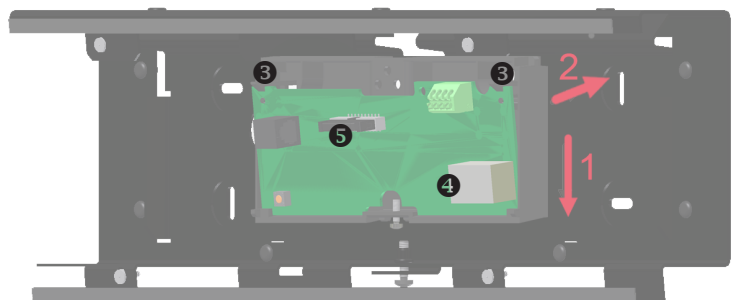
8) L'horloge pourra ultérieurement être déclipée de son support, en tirant vers soi la partie basse de l'horloge, puis en la dégagant par le haut.

9) Ôter la feuille de protection de la façade, et nettoyer l'horloge à l'aide du chiffon antistatique.

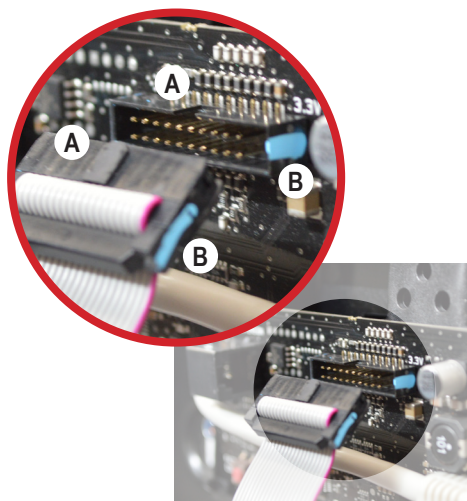
Important : concernant l'installation double face sur potence, se reporter à la notice des supports, réf.: 607847 (livrée avec le support).



Face arrière



Support mural +
carte électronique



Côté droit
vue en transparence

2.3 Montage par encastrement Style 5-5S-7-7D-7S-10

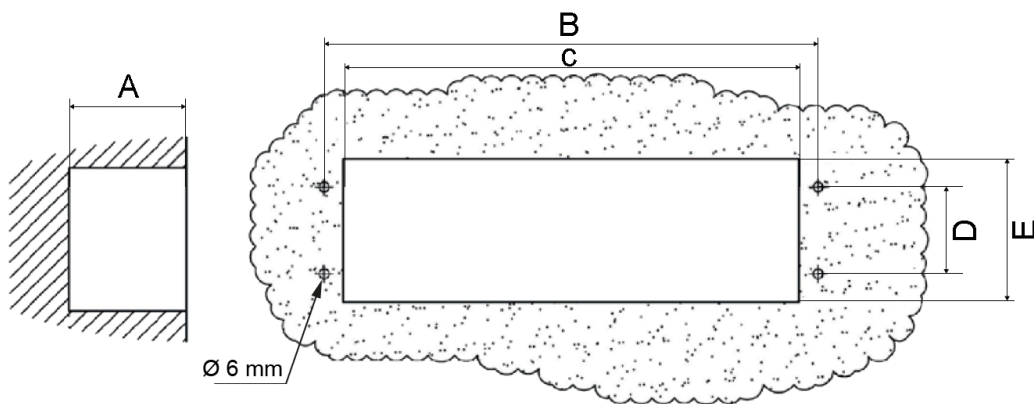
1) Montage sans fond d'encastrement

Selon le modèle de l'horloge, faire un découpe en suivant les dimensions listées dans le tableau ci-dessous

	A	B	C	D	E
Style 5	46	275	241	68	107
Style 5S		400	365	68	107
Style 7		325	291	85	117
Style 7S		440	404	85	123
Style 7 Date		365	331	200	308
Style 10		424	406	100	165

Dimensions en mm

a) Présenter l'horloge de manière à marquer l'emplacement des 4 trous de fixation.

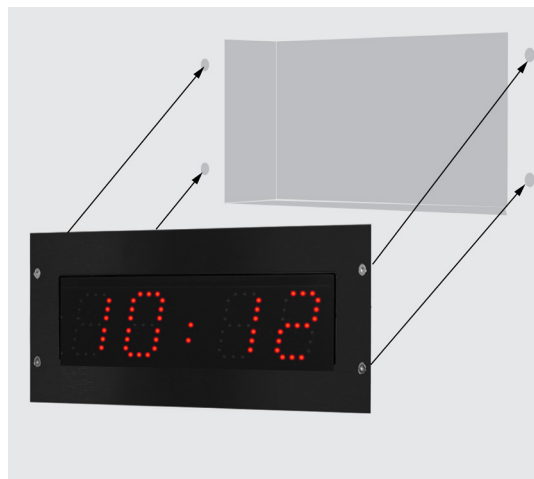


b) Percer les 4 trous au diamètre 6 mm pour y insérer les chevilles.

c) Passer les câbles d'alimentation et de synchronisation et les connecter à l'horloge.

d) Raccorder l'horloge et effectuer la mise à l'heure (se reporter page 43).

e) Fixer l'horloge au mur avec les 4 vis Ø 4 mm.



Intallation **sans** fond d'encastrement

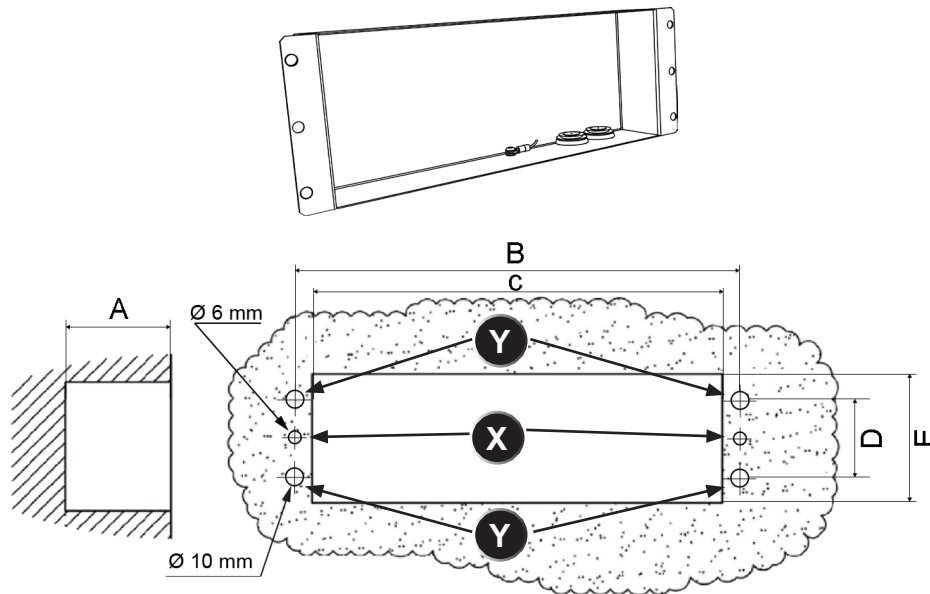
2) Montage avec fond d'encastrement

Selon le modèle de l'horloge, faire un découpe en suivant les dimensions listées dans le tableau ci-dessous

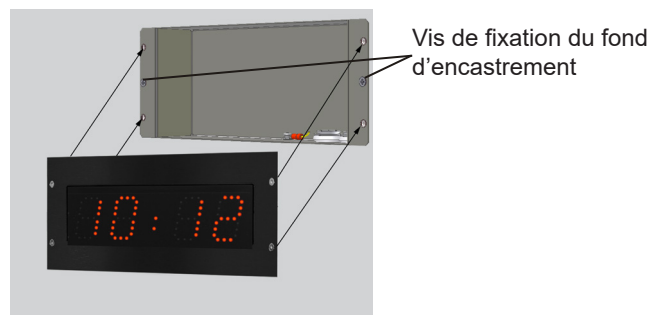
	A	B	C	D	E
Style 5	46	275	241	68	107
Style 5S		400	365	68	107
Style 7		325	291	85	117
Style 7S		440	404	85	123
Style 7 Date		365	331	200	308
Style 10		424	406	100	165

Dimensions en mm

a) Présenter le fond d'encastrement de manière à marquer l'emplacement des 6 trous de fixation.



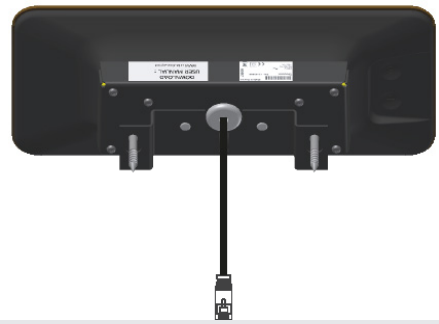
- Percer 2 trous (X) au Ø 6mm pour l'insertion des chevilles de fixation du fond d'encastrement.
- Percer les 4 trous (Y) au diamètre 10 mm pour permettre le passage des 4 rivets de fixation de l'horloge.
- Passer les câbles d'alimentation et de synchronisation et les connecter à l'horloge.
- Fixer le fond d'encastrement au mur avec les 2 vis de Ø 4mm.
- Raccorder l'horloge, régler la luminosité (page 18) et effectuer la mise à l'heure (page 21).
- Fixer l'horloge au fond d'encastrement avec les 4 vis Ø 4 mm.



Intallation **avec** fond d'encastrement

2.4 Montage Style 7-7D-10-10S étanches IP65

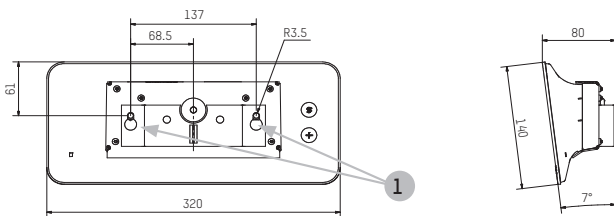
- 1) L'horloge est livrée câblée et assemblée. Avant son installation murale, réaliser le raccordement de l'horloge au réseau de distribution horaire dans un environnement sec.



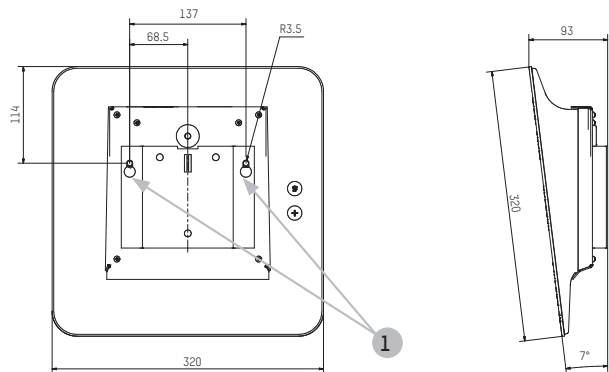
La prise RJ45 est déjà présente sur le câble ethernet (longueur 1m 80 environ). Dans le cas d'un passage par un boîtier étanche, coupez le câble ethernet, faire passer le câble par le passe-câble et sertissez une nouvelle fiche RJ45 dans le coffret.

- 2) Fixer l'horloge au mur à l'aide des 2 vis à tête hexagonale **1** (permettant le serrage entre le support et le mur) pour cheville Ø4mm :

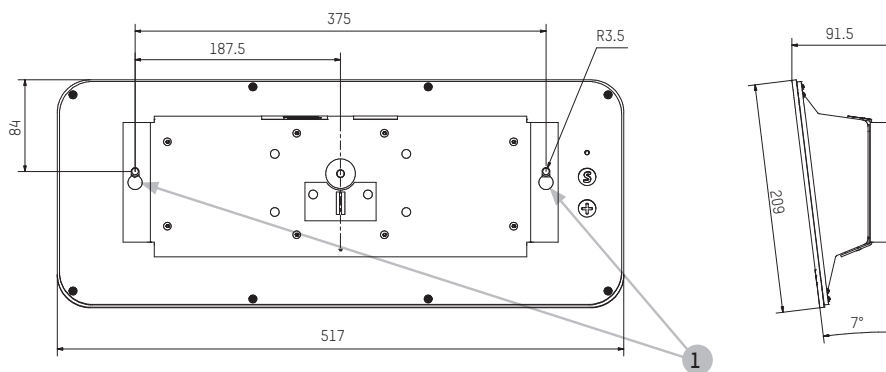
Style 7



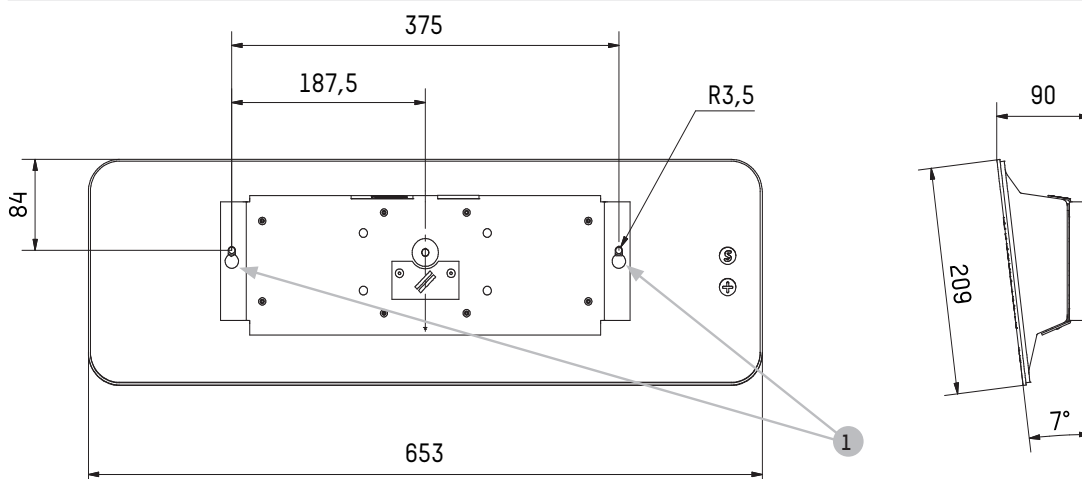
Style 7 Date



Style 10



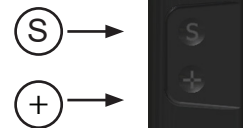
Style 10S



III – Emplacement des touches «S» et «+»

1) Ces deux touches capacitatives sont situées au dos de l'horloge:

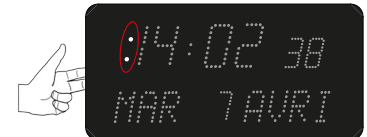
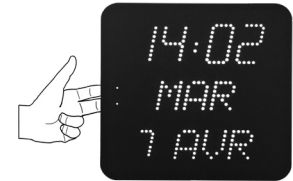
- à droite vue de dos,
- à gauche vue de face (en situation de manipulation).



2) La touche "S" est au-dessus de la touche "+".

3) Lors de l'appui, une LED s'illumine afin de localiser la touche sélectionnée.

Exemple d'une Style 7D lorsque les deux touches sont appuyées simultanément :



IV – Style 5S-7S-10S – Mode chronomètre

1) Les pupitres chronomètre fonctionnent en comptage ou décomptage.

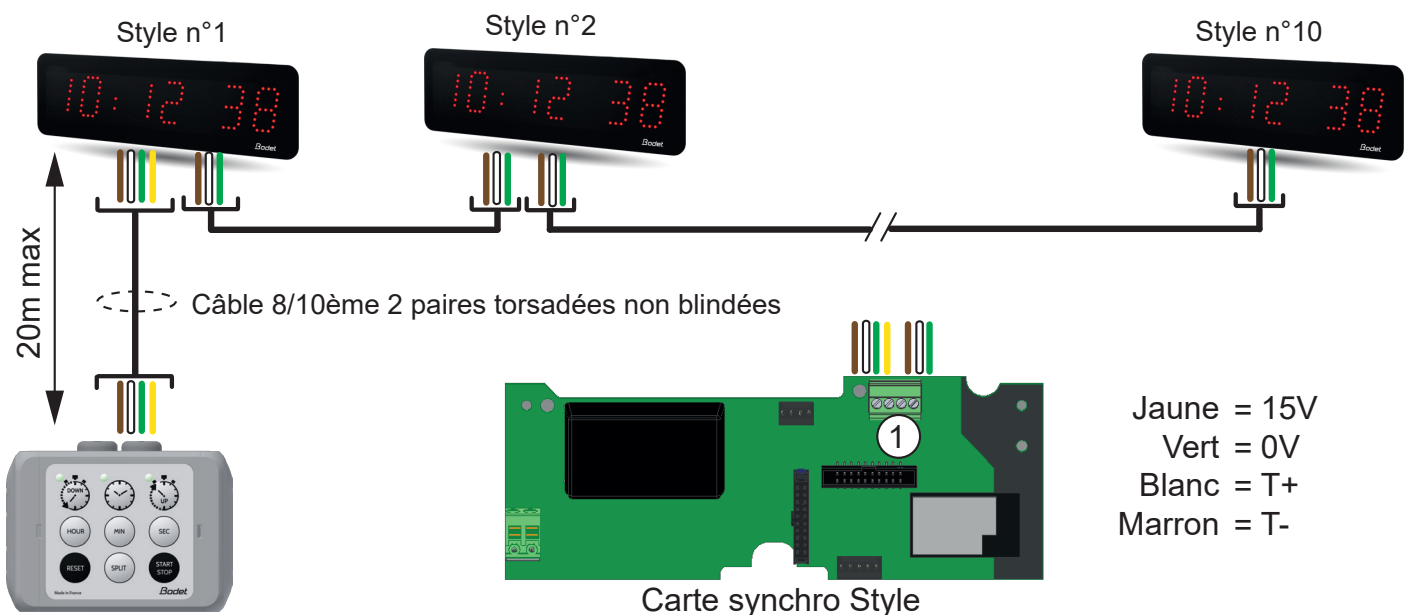
Ses différentes fonctions sont : Start, stop, temps intermédiaire, fermeture d'un contact sec en fin de décomptage ou de comptage (arrêt sur un temps préprogrammé).

Un pupitre chronomètre peut piloter jusqu'à dix horloges Style 5S, Style 7S ou Style 10S.

Les cartes électroniques des horloges Style 5S, 7S et 10S sont équipés d'un bornier de raccordement (①).

2) Relier le pupitre chronomètre au bornier (①) par un câble 4 fils (T-, T+, 0V et 15V) pour la première horloge.

Exemple de câblage avec trois horloges Style 5S :



Cas en double face :

- Pour afficher le chronomètre sur les deux faces, relier le pupitre sur l'horloge maître.
- Pour afficher le chrono sur une seule face et l'heure sur l'autre face, relier le pupitre sur l'horloge esclave.

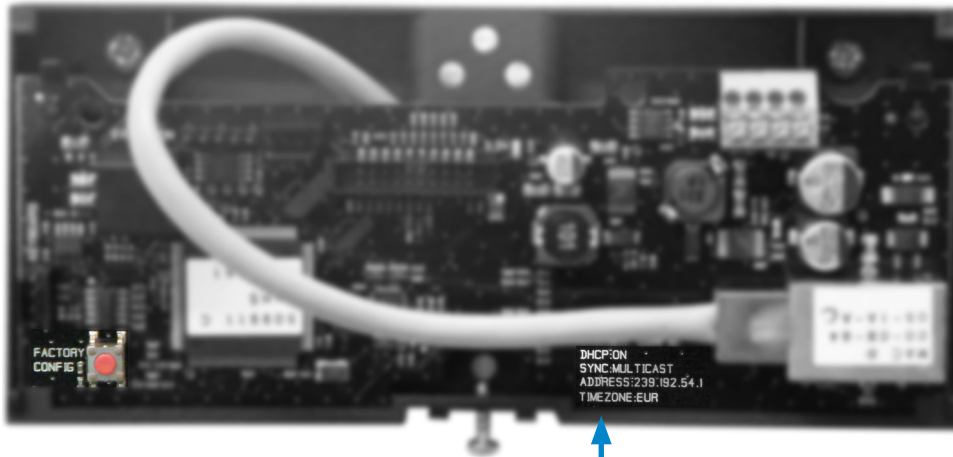
3) Pour connecter plusieurs horloges Style 5S, Style 7S ou Style 10S sur un même pupitre chronomètre, relier les bornes T- et T+ respectifs par un câble 2 fils (paire téléphonique). La première horloge reste connectée au pupitre chronomètre par un câble 4 fils.

4) Pour de plus amples informations, se reporter à la notice du pupitre chronomètre.

V – Configuration par défaut

Le retour de la configuration usine s'effectue en appuyant, jusqu'à la mise au noir de l'horloge, sur le bouton poussoir (rouge) de la carte électronique. Ouvrir l'horloge pour accéder à ce bouton poussoir (voir installation mécanique).

Localisation du bouton poussoir sur la carte électronique (exemple d'une horloge Style 5):



La configuration usine complète est la suivante :

- Configuration IP par DHCP (DHCP: ON).
- Time zone : EUR
- Synchronisation : Multicast
- Adresse de synchronisation : 239.192.54.1

Ces quatre paramètres sont inscrit sur la carte électronique.

- Nom de l'horloge : «BODET-@MAC»
- Période de pool pour synchronisation unicast : 15 minutes.
- SNMP désactivé
- Type de trap : V2C
- Seuil pour alarme température : -5°C à +55°C
- Période d'émission du trap status : 24H
- Pas de mot de passe
- Luminosité : niveau 3
- Mode 12H/24H : 24H
- Eco Mode : Nor.
- ON & OFF Time : 23H OFF / 6H ON

Sur le connecteur de la carte électronique :

LED verte : activité réseau + alimentation.

LED jaune : type de réseau (ON=100M, OFF=10M).

VI – Configuration basique

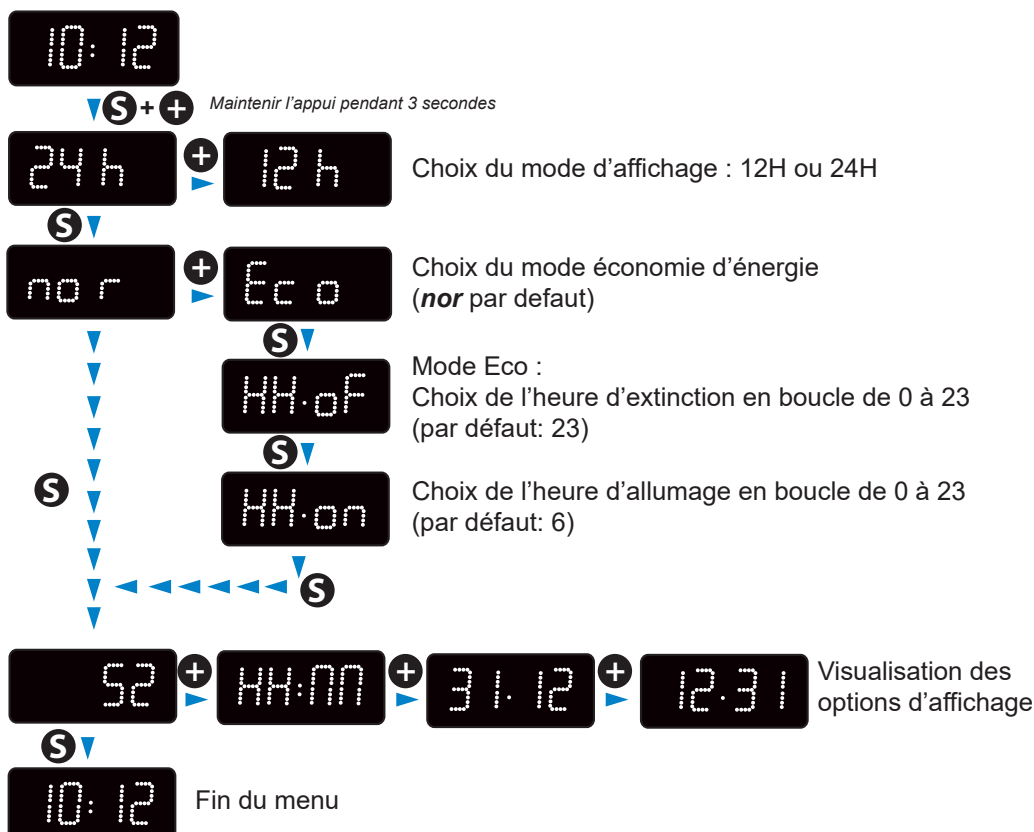
6.1 Réglage Heure/Date/Année toutes versions sauf Style 7D-10D-10SD

Accéder au réglage de l'heure, de la date et de l'année en appuyant sur «S» pendant 3 secondes.



6.2 Menu configuration toutes versions sauf Style 7D-10D-10SD

Accéder au menu configuration en appuyant sur «S» (maintenir l'appui) puis sur «+» pendant 3 secondes.



6.3 Réglage Heure/Date/Année Style 7D

Accéder au réglage de l'heure, de la date et de l'année en appuyant sur «S» pendant 3 secondes.

10:12
JEU
9 AVR

S ▼ Maintenir l'appui pendant 3 secondes

10:12
JEU
9 AVR

+

11:12
JEU
9 AVR

+

12:12
JEU
9 AVR

Réglage de l'heure

S ▼

10:12
JEU
9 AVR

+

10:13
JEU
9 AVR

+

10:14
JEU
9 AVR

Réglage des minutes

S ▼

10:12
JEU
9 2015

+

10:12
SAM
9 2016

+

10:12
DIM
9 2017

Réglage de l'année

S ▼

10:12
JEU
9 AVR

+

10:12
LUN
9 MAI

+

10:12
JEU
9 JUIN

Réglage du mois

S ▼

10:12
JEU
9 AVR

+

10:12
VEN
10 AVR

+

10:12
SAM
11 AVR

Réglage du jour
dans le mois

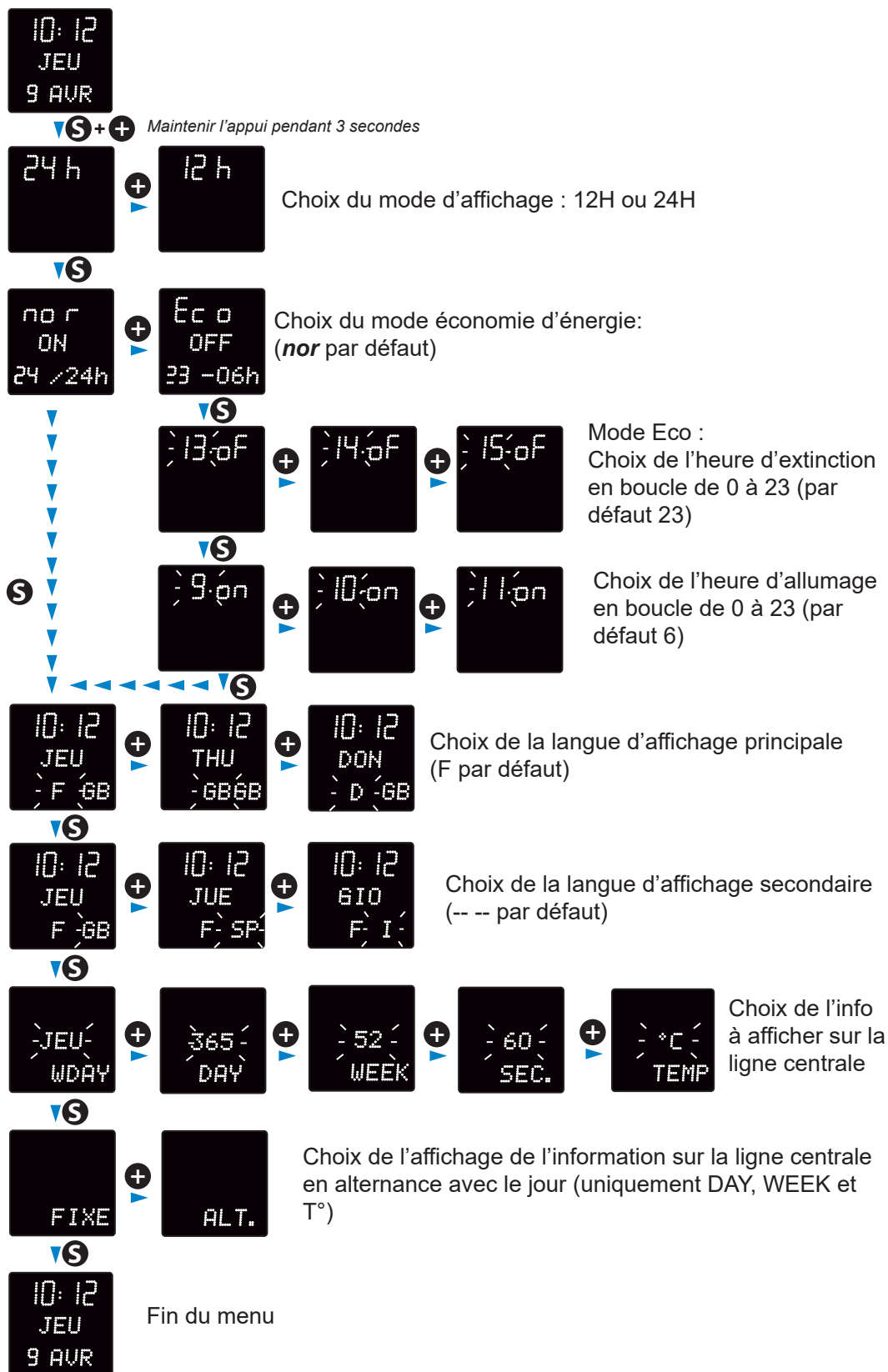
S ▼

10:12
JEU
9 AVR

Fin du menu

6.4 Menu configuration Style 7D

Accéder au menu configuration en appuyant sur «S» (maintenir l'appui) puis sur «+» pendant 3 secondes.



Langues d'affichage disponibles :

Français (F), Anglais (GB), Allemand (D), Espagnol (SP), Italien (I), Portugais (P), Grec (GR), Néerlandais (NL), Danois (DK), Norvégien (N), Suédois (S), Finlandais (FI), Polonais (PL), Hongrois (HG), Russe (RU), Croatie (HR), Roumain (RO), Tchèque (CZ), Slovène (CL), Arabe (AR), Turc (TR), Catalan (CA), Basque (BA).

6.5 Réglage Heure/Date/Année Style 10D-10SD

Accéder au réglage de l'heure, de la date et de l'année en appuyant sur «S» pendant 3 secondes.

Les visuels ci-après sont relatifs à une horloge Style 10SD. Cependant, le principe de réglage est identique aux Style 10D car les secondes ne sont pas configurables.



S ▼ Maintenir l'appui pendant 3 secondes



Réglage de l'heure

S ▼



Réglage des minutes



Réglage de l'année

S ▼



Réglage du mois

S ▼



Réglage du jour dans le mois

S ▼



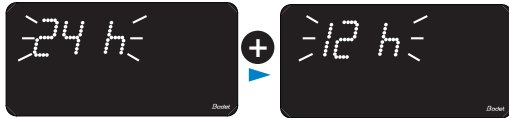
Fin du menu

6.6 Menu configuration Style 10D-10SD

Accéder au menu configuration en appuyant sur «S» (maintenir l'appui) puis sur «+» pendant 3 secondes.



▼S+ + Maintenir l'appui pendant 3 secondes



Choix du mode d'affichage : 12H ou 24H

▼S



Choix du mode économie d'énergie:
(*nor* par défaut)

▼S



Mode Eco :
Choix de l'heure d'extinction
en boucle de 0 à 23 (par
défaut 23)

▼S



Choix de l'heure d'allumage
en boucle de 0 à 23 (par
défaut 6)



Choix de l'affichage de la
date sur la 2ème ligne
(par défaut: jour/date/mois)

▼S



Choix de la langue d'affichage principale
(F par défaut)

▼S



Choix de la langue d'affichage secondaire
(-- -- par défaut)

▼S



Fin du menu

Langues d'affichage disponibles :

Français (F), Anglais (GB), Allemand (D), Espagnol (SP), Italien (I), Portugais (P), Grec (GR), Néerlandais (NL), Danois (DK), Norvégien (N), Suédois (S), Finlandais (FI), Polonais (PL), Hongrois (HG), Russe (RU), Croatie (HR), Roumain (RO), Tchèque (CZ), Slovène (CL), Arabe (AR), Turc (TR), Catalan (CA), Basque (BA).

VII – Configuration avancée

Pour accéder à l'interface web et configurer les horloges, il existe deux solutions :

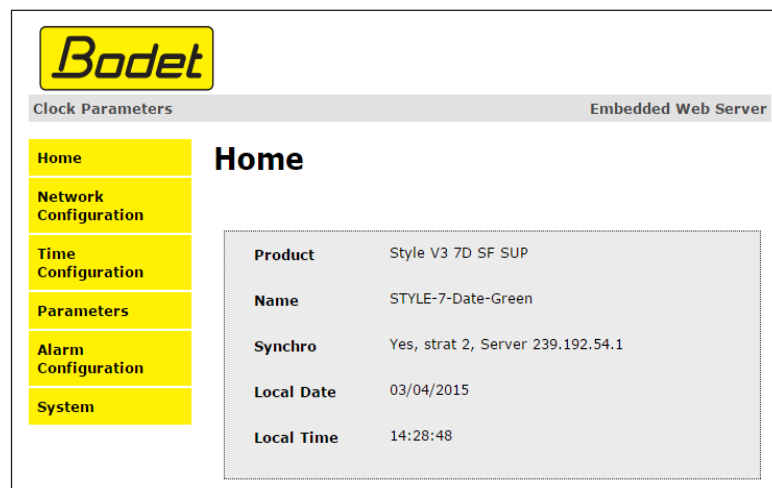
1) Ouvrir une page du navigateur internet puis dans la barre d'adresse, renseigner l'adresse IP de l'horloge. L'adresse IP de l'horloge est soit attribuée automatiquement, soit renseignée par l'installateur (Cf. ci-dessous).

2) Utiliser le logiciel «BODET Detect» puis cliquez sur [Web Browser Access](#) pour ouvrir le serveur web correspondant à l'horloge présente sur le réseau (se reporter à la notice du logiciel, réf.: 607548).

Le logiciel BODET Detect permet de :

- Détecter les horloges présentes sur le réseau,
- Paramétrer chaque horloge (indépendamment les unes des autres ou copier les paramètres d'une horloge vers un groupe d'horloges),
- Mettre à jour la version logicielle de l'horloge,
- Contrôler l'état de l'horloge,
- Donner accès au téléchargement de la base de fichiers MIB.

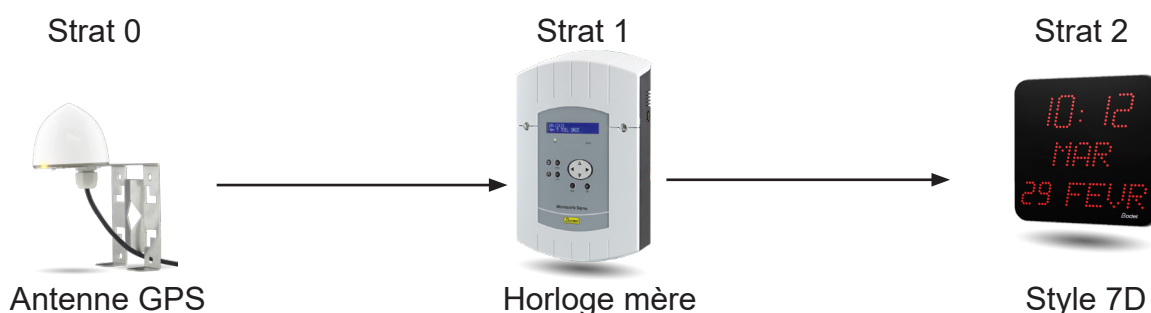
7.1 Accueil



La page d'accueil du serveur web d'une horloge synthétise les informations générales de celle-ci. Les informations sont affichées de la façon suivante :

- **Product** : type de produit + SF (Simple Face) ou DF (Double Face) + SUP (Supervisée).
- **Name** : nom donné par l'utilisateur à l'horloge.
- **Synchro** : état de la synchronisation (Strat 2 indique que l'horloge est à 2 « niveaux » de la source de synchronisation) + adresse IP du serveur sur lequel l'horloge se synchronise.

Exemple :



- **Local Date** : date du jour.
- **Local Time** : heure du jour.

7.2 Configuration réseau

Bodet

Clock Parameters Embedded Web Server

Home

Network Configuration

Time Configuration

Parameters

Alarm Configuration

System

Network Configuration

This page allows the configuration of the clock's network settings.

CAUTION: Incorrect settings may cause the clock to lose network connectivity.

Enter the new settings below:

MAC Address	00:0B:84:05:1A:A4
Name	STYLE-7-Date-Green
	<input checked="" type="checkbox"/> Enable DHCP
IP Address	10.17.10.118
Subnet Mask	255.255.0.0
Gateway	
DNS Address	
<input type="button" value="Save and Reboot"/>	

Cette page permet de configurer l'horloge sur le réseau. L'avertissement indique que l'horloge peut perdre la connexion au réseau si les paramètres sont mauvais.

Ci-dessous le descriptif des informations affichées :

- **MAC Address** : il s'agit de l'adresse MAC de l'horloge. Cette adresse est unique pour chaque produit. Ce numéro est indiqué sur une étiquette au dos des horloges Bodet.
- **Name** : nom donné par l'utilisateur à l'horloge.
- Case à cocher **Enable DHCP** : permet de définir automatiquement les paramètres IP du produit sur le réseau.
Si celle-ci est décochée, les paramètres suivants sont accessibles :
- **IP Address** : permet de définir manuellement l'adresse IP du produit. (obligatoire).
- **Subnet Mask** : le masque de sous réseau permet d'associer une horloge au réseau local. (obligatoire).
- **Gateway** : la passerelle permet de relier l'horloge à deux réseaux informatiques.
- **DNS Address** : adresse permettant d'associer un nom de domaine à une adresse IP. Cela permet d'éviter de rentrer une adresse IP dans le navigateur au profit d'un numéro ou appellation définie par l'utilisateur. Exemple : www.bodet.com étant plus simple à retenir que 172.17.10.88.

permet de sauvegarder la configuration et redémarrer l'horloge.

7.3 Configuration de l'heure et synchronisation

Bodet
Clock Parameters Embedded Web Server

Time Configuration

Time Zone

Time Zone: Paris (GMT+01:00) [v]
[Save]

Synchronisation

NTP Mode: Multicast [v]
Address IP 1: 239.192.54.1
Address IP 2: []
Address IP 3: []
Address IP 4: []
Address IP 5: []
Periodicity: 15 (1 to 999 minutes)
 Continue to display time after synchronisation failure
[Save]

La page Time Configuration est divisée en deux parties. L'une permet de configurer le fuseau horaire et l'autre le mode de synchronisation.

Ci-dessous le descriptif des informations affichées :

- **Time zone** : à l'aide du menu déroulant, il est possible de choisir le fuseau horaire (la gestion de l'heure été/hiver est automatique en fonction de la zone horaire sélectionnée). Il est aussi possible de paramétrer un fuseau horaire non défini par défaut dans le menu déroulant («PROG»).

Lorsque «PROG» est sélectionné dans le menu déroulant, cette fonction permet de définir le décalage par rapport à l'heure GMT : mois, rang et jour fixe des changements de saisons.

- **GMT Offset** : choix des minutes par pas de 0/15/30/45.

Bodet
Clock Parameters Embedded Web Server

Time Configuration

Time Zone

Time Zone: PROG [v]
GMT Offset: + [v] 0H [v] 0 [v]
 Enable Time Changeovers
Summer Time: March [v] last [v] Sunday [v]
Winter Time: October [v] last [v] Sunday [v]
[Save]

Synchronisation

NTP Mode: Multicast [v]
Address IP 1: 239.192.54.1
Address IP 2: []
Address IP 3: []
Address IP 4: []
Address IP 5: []
Periodicity: 15 (1 to 999 minutes)
 Continue to display time after synchronisation failure
[Save]

- **NTP Mode** : permet de choisir parmi trois types de mode :
 - o **Unicast** : Dans Address IP1, renseigner l'adresse IP du serveur NTP. Dans ce cas, c'est l'horloge qui interroge le serveur NTP.
De plus, il existe la possibilité d'effectuer une redondance (si le 1er serveur ne répond pas le deuxième est interrogé...etc.), c'est pour cela qu'il est possible de saisir jusqu'à 5 adresses de serveur (Address IP 1/2/3/4/5).
La case «Periodicity» permet de régler la fréquence à laquelle l'horloge interroge les serveurs NTP configurés.
 - o **Multicast** : Dans ce cas, c'est le serveur NTP qui diffuse l'heure sur l'adresse de type multicast qu'il lui a été renseigné. L'adresse multicast des clients doit être identique à celle diffusé par le serveur.
Par défaut les produits Bodet émettent et reçoivent sur l'adresse multicast :239.192.54.1
Les adresses multicast sont comprises entre 224.0.0.0 et 239.255.255.255.
 - o **By DHCP** : Idem mode unicast sauf que les adresses des serveurs NTP sont récupérées automatiquement via le serveur DHCP (configuration de l'option 42 sur le serveur DHCP).

La case à cocher «continue to display» permet de définir le comportement de l'horloge après une perte de synchronisation NTP pendant 48h :

- En mode « continue to display » sur OFF, l'horloge passe au noir avec les deux points fixes.
- En mode « continue to display » sur ON , l'horloge continue de fonctionner sur sa base de temps avec l'arrêt du clignotement des deux points «:».

Save

permet de sauvegarder les configurations effectuées.

7.4 Paramétrage

Cette page permet de paramétrer l’affichage de l’horloge sur le réseau.

Ci-dessous le descriptif des informations affichées :

- **Luminosity** : permet de régler la luminosité de l’horloge parmi 4 niveaux de 1 (faible) à 4 (élevé). Par défaut la luminosité est fixée à 3.
- **Mode 12H/24H** : permet d’afficher l’heure en mode 12H ou 24H.
Exemple : 8h00 (en mode 12H) ou 20h00 (en mode 24H).
- **Eco Mode**: permet d’activer le mode économie d’énergie de l’horloge. En mode Eco, l’horloge affiche deux points clignotant et est paramétrée en luminosité minimum (niveau 1). Ce mode est défini sur une plage horaire configurée ci-après (ON & OFF Time). Ce mode devient inactif lorsque l’utilisateur entre dans le menu de configuration (à l’aide des touches «S» et «+») ou modifie les paramètres dans le serveur web ou lorsqu’un redémarrage est effectué.
- **ON & OFF Time** : permet de définir la plage horaire d’activation du mode Eco. L’activation de ce mode fonctionne uniquement au changement d’état. Exemple: à 8h30, si le mode Eco est paramétré à 8h00 (jour J), l’horloge basculera dans ce mode à 8h00 le jour suivant (J+1).
- **Language** : paramètre disponible uniquement sur Style 7 Date. Ce paramètre permet d’afficher la langue par défaut de l’horloge Style 7 Date. Deux menus déroulants sont disponibles afin de paramétrer une alternance des langues.
- **Central Display** : paramètre disponible uniquement sur Style 7 Date. Ce paramètre permet de choisir l’information qui sera affichée sur la ligne centrale. Il est possible d’afficher l’alternance du numéro de la semaine et l’information centrale sélectionnée.

Save

permet de sauvegarder les configurations effectuées.

7.5 Configuration des alarmes

Cette page permet d'activer la supervision de l'horloge, de définir les informations qui seront transmises et le serveur de destination. Il est possible de sélectionner le ou les paramètres à définir comme alarmes et de les configurer.

Ci-dessous le descriptif des informations affichées :

- **Case à cocher Enable SNMP** : active le service réseau SNMP pour la supervision du produit depuis un PC de contrôle.
- **Community** : parc ou domaine d'horloges défini par l'utilisateur. Il est indispensable de donner à toutes les horloges du réseau le même nom de «Community».
- **Case à cocher Enable SNMP Trap** : permet l'activation (ou non) de l'envoi automatique des messages d'erreurs au(x) SNMP Manager(s).
- **SNMP Manager 1/2/3** : adresses IP des serveurs recevant les alarmes des horloges. La redondance des SNMP Manager permet d'augmenter la fiabilité des retours d'alarmes.
- **Synchronisation failure** : ce paramètre permet de détecter les défauts de synchronisation avec l'horloge mère (type Sigma) ou le serveur temps (type Netsilon).
 - Multicast : alarme si absence de synchronisation multicast depuis plus d'une heure.
 - Unicast : alarme si synchronisation unicast absente depuis 3 fois la durée de la périodicité et une heure minimum (permet la maintenance du serveur).
- **Reboot** : ce paramètre permet de détecter le redémarrage de l'horloge.
- **Temperature** : ce paramètre permet de signaler un dépassement haut ou bas d'une température (plage de températures variable).
- **Manipulation** : ce paramètre permet de déclencher une alarme lorsqu'un paramètre est modifié manuellement sur l'horloge (à l'aide des boutons «S» et «+»).
- **Server access** : ce paramètre permet de déclencher une alarme lorsqu'un utilisateur se connecte au serveur web de l'horloge.

- **Authentication failure** : ce paramètre permet de déclencher une alarme lorsqu'un utilisateur effectue une identification erronée du serveur web de l'horloge.
- **Periodic Status** : ce paramètre permet de vérifier que le produit est toujours en bon état de fonctionnement (cas où les alarmes seraient «perdues»). Cette vérification peut donc être effectuée sur un cycle horaire.



Information : les informations remontées sont **mineurs** et ne nécessitent pas expressément la visite d'un technicien de maintenance pour corriger le défaut.



Warning : les erreurs ou défauts remontés sont **importants** et nécessitent la visite d'un technicien de maintenance pour corriger le défaut.



Critic : les erreurs ou défauts remontés sont **graves** et nécessitent rapidement la visite d'un technicien de maintenance pour corriger le défaut.

Save

permet de sauvegarder les configurations effectuées.

Send status trap

permet d'envoyer un trap status à l'ensemble des SNMP managers configurés afin de vérifier le bon paramétrage de la supervision.

7.6 Système et protection

Bodet

Clock Parameters Embedded Web Server

System

Firmware	V1.1A01 03/04/15
Uptime	0d 00h 09m
DateCode	1516

CAUTION: The correct password is required for the connection with the Embedded Web Server.

Enable authentication

Username

New Password

Confirm New Password

CAUTION: Reboot will cause the loss of the network connection.

CAUTION: Factory configuration will cause the loss of all your parameters and may cause the Melodys to lose network connectivity.

Cette page est divisée en quatre parties qui sont les suivantes :

1ère partie : présentation de la version du programme (logiciel), la durée depuis la mise sous tension de l'horloge et la date de fabrication du produit (année/semaine).

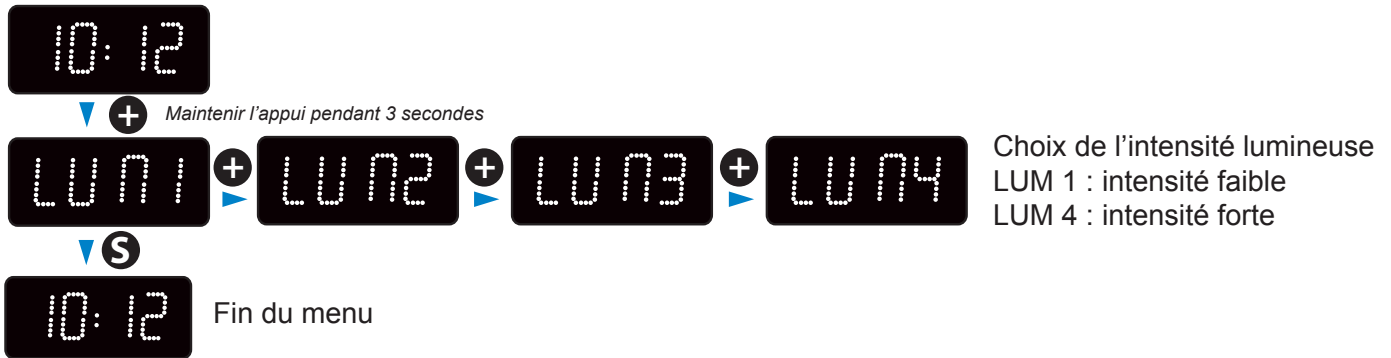
2ème partie : un message de prévention indique qu'une fois défini, il est obligatoire d'utiliser le bon mot de passe pour établir la connexion avec le serveur web. Pour enregistrer un nom d'utilisateur et un mot de passe, saisir les informations dans les espaces prévus à ces effets. permet d'enregistrer votre nouvel identifiant et mot de passe.

3ème partie : le message de prévention indique que le redémarrage de l'horloge va causer la perte de connexion au réseau le temps du redémarrage. Le bouton redémarre l'horloge.

4ème partie : le message de prévention indique que le redémarrage en configuration usine supprimera toutes vos configurations et peut être la perte de connexion au réseau de l'horloge, en l'absence d'un serveur DHCP sur le réseau. Le bouton redémarre l'horloge en configuration usine.

VIII – Réglage de la luminosité

Le réglage de luminosité peut être effectué lorsque l'horloge Style est en mode d'utilisation normale, c'est-à-dire lorsqu'elle ne se trouve ni dans le menu de configuration, ni dans le menu de mise à l'heure. Niveau de luminosité par défaut : 3.



IX – Sauvegarde mémoire

Les horloges Style possèdent un dispositif de sauvegarde permanent leur permettant de mémoriser l'ensemble des paramètres de configuration et les choix d'affichage (pendant environ 20 ans), même en cas de coupure secteur prolongée.

X – Caractéristiques techniques

- Synchronisation : conforme RFC2030 (SNTP V4), mode unicast, multicast ou via DHCP.
- Etat de la synchronisation : clignotement des deux points lorsque l'horloge est synchronisée. Points fixes puis mise au noir dans le cas d'une horloge non synchronisée.
- Connexion réseau : 10Base-T/100Base-TX.
- Alimentation : PoE (Power over Ethernet).
- Précision : +/- 0,1s avec changement d'heure été/hiver automatique.
- Température de fonctionnement : de -5°C à +55°C.
- Indice de protection : IP30, IK07 (Style standard)
- Indice de protection : IP65, IK07 (Style étanche)
- Directives: EMC 2014/30/EU, LVD 2014/35/EU, RED 2014/53/EU.

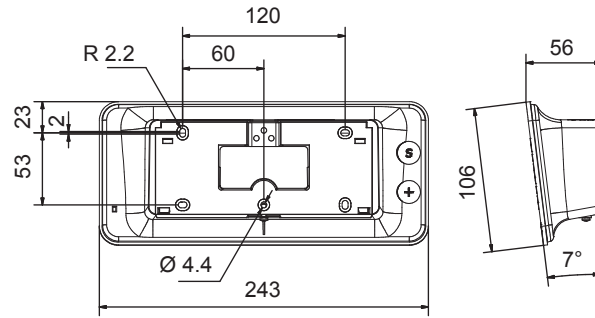
Consommation:

		Alimentation	Rouge/Vert/Jaune	Blanc/Bleu
Style 5-Style 7	Receptrice NTP	PoE	3 W	1.5W
Style 5S - Style 7E - 7S	Receptrice NTP	PoE	3,4 W	1.7W
Style 7D	Receptrice NTP	PoE	6,5W	2,2 W
Style 10	Receptrice NTP	PoE	4,8 W	1,9 W
Style 10S	Receptrice NTP	PoE	6 W	2 W
Style 10D	Receptrice NTP	PoE	8 W	2,6 W
Style 10SD	Receptrice NTP	PoE	9,7 W	3 W

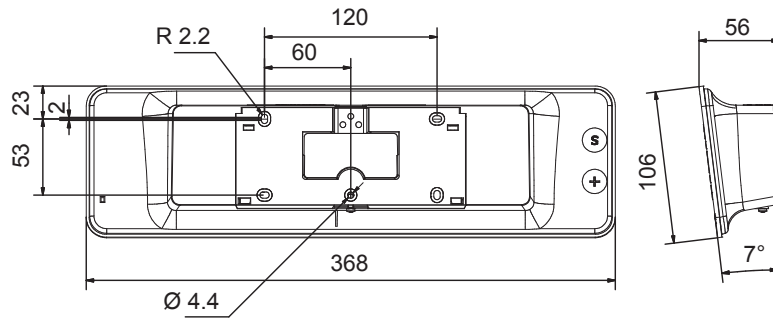
Dans un environnement domestique, ces produits peuvent causer des interférences radios auquel cas l'utilisateur doit prendre des mesures adéquates. Elles sont destinées à un environnement résidentiel, commercial ou industrie légère. Elles sont conformes aux normes européennes en vigueur.

Style 5

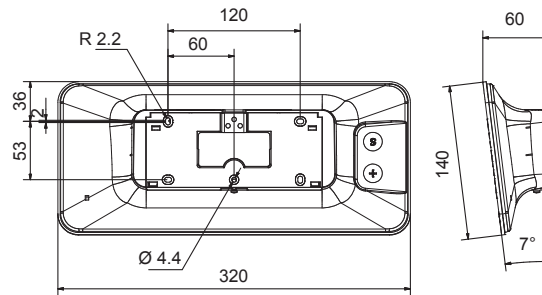
– Poids : 0,25 Kg

**Style 5S**

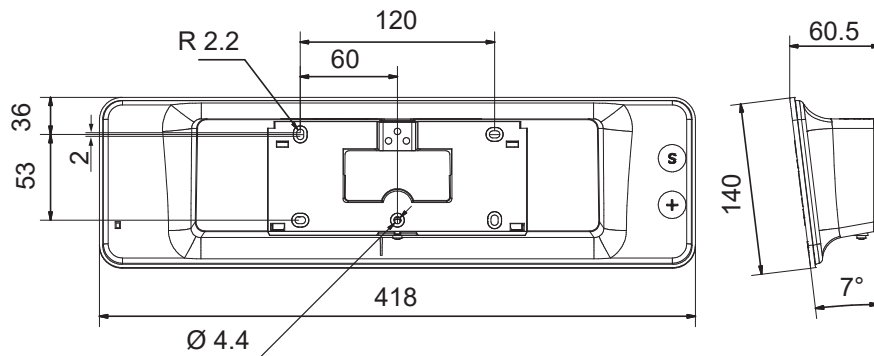
– Poids : 0,37 Kg

**Style 7**

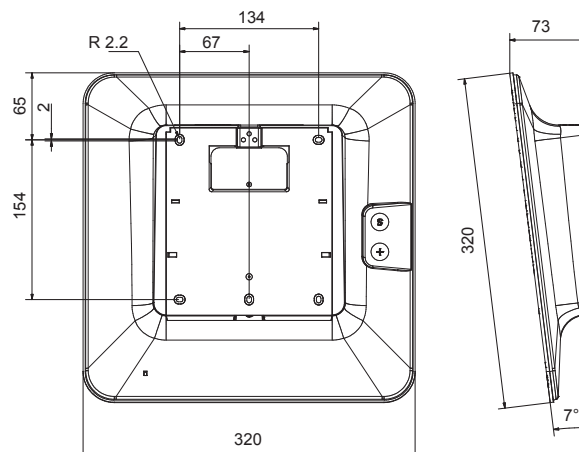
– Poids : 0,4 Kg

**Style 7S**

– Poids : 0.6 kg

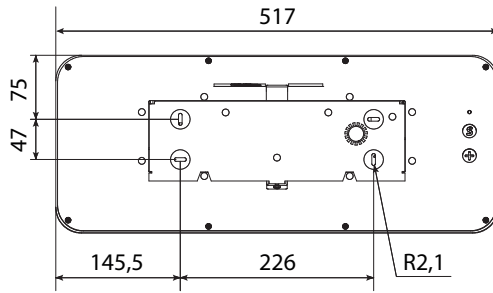
**Style 7D & Style 7E**

– Poids : 0,965 Kg

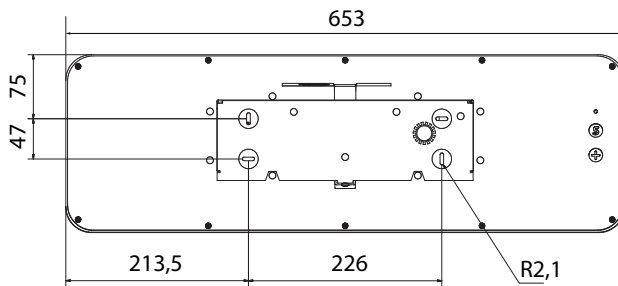


Style 10

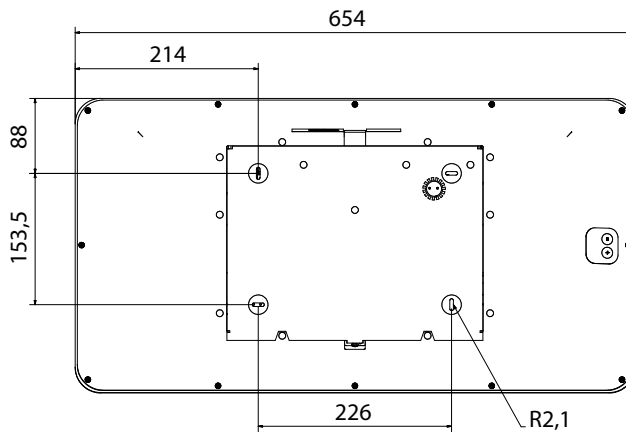
– Poids : 1,8 Kg

**Style 10S**

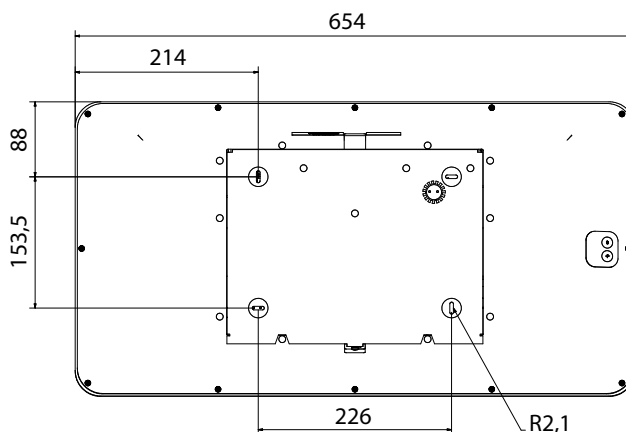
– Poids : 2,8 Kg

**Style 10D**

– Poids : 4 Kg

**Style 10SD**

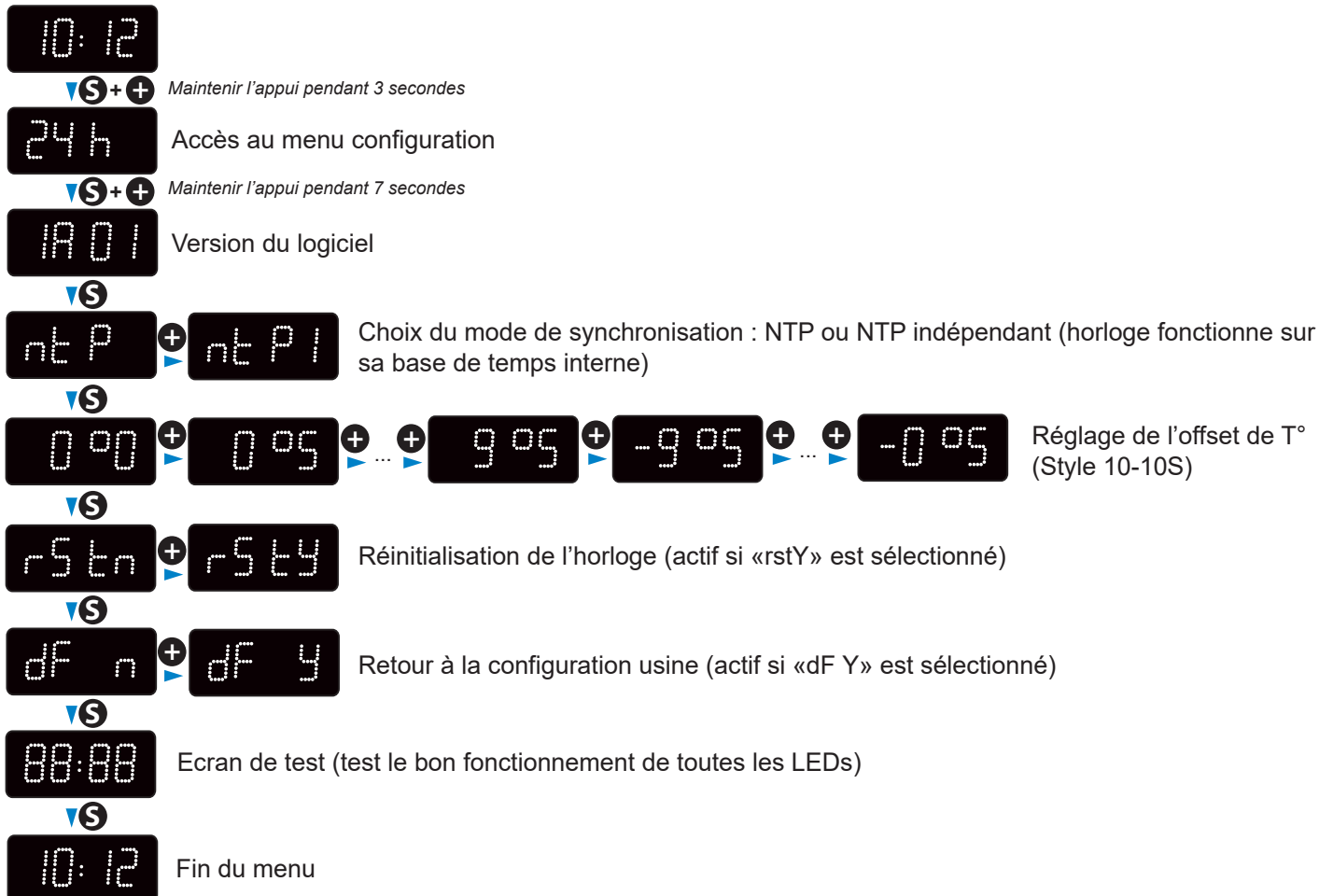
– Poids : 4 Kg



XI – Menu technicien

Pour entrer dans le menu technicien, accéder au menu configuration en appuyant sur «S» (maintenir l'appui) puis sur «+» pendant environ 3 secondes. Ensuite, après avoir relâché ces deux touches, appuyer de nouveau sur «S» puis «+» pendant environ 7 secondes.

11.1 Menu technicien toutes versions sauf Style 7D-7E-10D-10SD



11.2 Menu technicien Style 7D-7E

10:12
JEU
9 AVR

▼ **S** + **+** Maintenir l'appui pendant 3 secondes

24h

Accès au menu configuration

▼ **S** + **+** Maintenir l'appui pendant 7 secondes

1R01

Version du logiciel

▼ **S**

nE P

+

nE P I

Choix du mode de synchronisation :
NTP ou NTP indépendant

▼ **S**

0°0

+

0°5

+

+

...

+

9°5

+

-9°5

+

...

+

-0°5

Réglage de l'offset de T°
(Style 7D-7E)

▼ **S**

r5 t n

+

r5 t y

Réinitialisation de l'horloge (actif si «rstY» est sélectionné)

▼ **S**

dF n

+

dF y

Retour à la configuration usine (actif si «dF Y» est sélectionné)

▼ **S**

88:88
■■■■
88 ■■■■

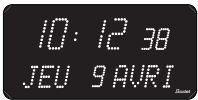
Ecran de test (test le bon fonctionnement de toutes les LEDs)

▼ **S**

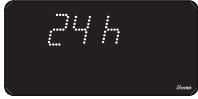
10:12
JEU
9 AVR

Fin du menu

11.3 Menu technicien Style 10D-10SD



⏏ S+ + Maintenir l'appui pendant 3 secondes



Accès au menu configuration

⏏ S+ + Maintenir l'appui pendant 7 secondes



Version du logiciel

⏏ S



Choix du mode de synchronisation :
NTP ou NTP indépendant

⏏ S



Réglage de
l'offset de T°

⏏ S



Réinitialisation de l'horloge (actif si «rstY» est sélectionné)

⏏ S



Retour à la configuration usine (actif si «dF Y» est sélectionné)

⏏ S



Ecran de test (test le bon fonctionnement de toutes les LEDs)

⏏ S



Fin du menu

XII – Que faire si...? ...Vérifier.

Que faire si...?	...Vérifier que
Pas de synchronisation après l'installation	1) Vérifier que le type de signal émis par l'horloge mère est de même type que celui de l'horloge. 2) Le serveur NTP est sur le même réseau que la réceptrice (adresses IP, masque de sous réseau et Passerelles).
La réceptrice NTP n'est pas à la bonne heure	1) Le fuseau horaire sélectionné sur le serveur web est correct.
Il n'y a pas de serveur DHCP sur le réseau	1) La configuration réseau prise par défaut par l'horloge est la suivante : – IP : 172.17.30.110 – MASK : 255.255.0.0 – PASSERELLE : 0.0.0.0 – DNS : 0.0.0.0
Une des horloges Style ne s'allume pas ou effectue des redémarrages en boucles	1) La puissance maximale du switch PoE est suffisante pour alimenter l'ensemble des horloges connectées au switch. 2) La longueur du câble est inférieure à 100 mètres (reportez-vous aux normes de câblage réseau). 3) Toutes les sorties du switch sont compatibles PoE.

XIII - Annexe

13.1 Changement d'heure en fonction du fuseau horaire

	Décalage UTC		Hiver/été		Été/hiver	
	HH	MM	Date	Heure	Date	Heure
ZH_HAWAI	-10	00	Non applicable		Non applicable	
ZH_L_ANGELES	-8	00	2e Dimanche Mars	2:00 Locale	1e Dimanche Novembre	2:00 Locale
ZH_COLORADO	-7	00	2e Dimanche Mars	2:00 Locale	1e Dimanche Novembre	2:00 Locale
ZH_CHICAGO	-6	00	2e Dimanche Mars	2:00 Locale	1e Dimanche Novembre	2:00 Locale
ZH_NEW_YORK	-5	00	2e Dimanche Mars	2:00 Locale	1e Dimanche Novembre	2:00 Locale
ZH_SANTIAGO	-4	00	2e Dimanche Avril	23:59 Locale	1e Dimanche Novembre	23:59 Locale
ZH_ACORES	-1	00	Dernier Dimanche Mars	0:00 Locale	Dernier Dimanche Octobre	1:00 Locale
ZH_LONDRES	0	00	Dernier Dimanche Mars	1:00 Locale	Dernier Dimanche Octobre	2:00 Locale
ZH_PARIS	1	00	Dernier Dimanche Mars	2:00 Locale	Dernier Dimanche Octobre	3:00 Locale
ZH_HELSINKI	2	00	Dernier Dimanche Mars	3:00 Locale	Dernier Dimanche Octobre	4:00 Locale
ZH_MOSCOU	3	00	Heure d'été toute l'année		Heure d'été toute l'année	
ZH_ABU_DHABI	4	00	Non applicable		Non applicable	
ZH_CALCUTTA	5	30	Non applicable		Non applicable	
ZH_BANGKOK	7	00	Non applicable		Non applicable	
ZH_SINGAPOUR	8	00	Non applicable		Non applicable	
ZH_TOKYO	9	00	Non applicable		Non applicable	
ZH_ADELAIDE	9	30	Dernier Dimanche Octobre	2:00 Locale	Dernier Dimanche Avril	4:00 Locale
ZH_SYDNEY	10	00	1e Dimanche Octobre	2:00 Locale	1e Dimanche Avril	3:00 Locale
ZH_NOUMEA	11	00	Non applicable		Non applicable	
ZH_MARTINIQUE	-4	00	Non applicable		Non applicable	
ZH_GUYANE	-3	00	Non applicable		Non applicable	
ZH_REUNION	4	00	Non applicable		Non applicable	
ZH_PROG	Programmable		Programmable	2:00 Locale	Programmable	3:00 Locale