

DESCRIPTION

- SMD LED technology for indoor installation.
- Hours, minutes and seconds display.
- Fixed or alternate time with date or week number display or timer display or temperature (probe integrated to the clock) or chronometer display (optional chronometer keyboard - count or countdown).
- Height of digits 10 cm (seconds: 7 cm), optimal viewing distance: 40 metres.
- Angle of vision: 120°.
- LED colours: red, green, yellow, blue and white.
- Models: independent, impulse, wireless DCF, wireless DHF, AFNOR, NTP/ETH and NTP/Wi-Fi.



COMPLIANCE

- Directive EMC 2014/30/EU
- Directive LVD 2014/35/EU
- Directive RED 2014/53/EU
- IEEE 802.11 b/g (NTP/Wi-Fi model)

GENERAL FEATURES

- **Adjustable brightness**..... 4 levels.
- **Display mode**..... 12 or 24 hour.
- **Eco mode**..... Programmable energy saving or predefined over a time period.
- **Time change**..... Automatic summer/winter time changeover and perpetual calendar.
- **Time base backup**.....
 - Independent model: 15 days in case of power failure.
 - Impulse model: in case of power failure, data saving and impulses reception without battery.
 - Synchronised models: at each start the clocks wait for the synchronisation signal.
- **Time accuracy**..... 0.2 second/day (in independent mode and out of synchronisation).
- **Operation**..... Silent.
- **Digit**..... 7 segments with 5 LEDs each.
- **Hours and minutes separating**..... Colon made of LEDs.
- **Configuration**..... 2 touch buttons.
- **NTP/ETH and NTP/Wi-Fi model**.....
 - Synchronisation unicast, multicast and by DHCP.
 - Advanced configuration from the embedded web server.

MECHANICAL FEATURES

- **Construction**..... ABS/PMMA black (IP30, IK07) and anti-glare PMMA glass (matte finish).
- **Operating temperature range**..... -5 to +55°C.
- **Weight**..... 2.8 Kg.
- **Dimensions**..... See on the back.

ELECTRICAL FEATURES

- **Power supply**.....
 - Independent, impulse, AFNOR, DHF and NTP/Wi-Fi models: 100-240VAC.
 - Wireless DCF model: 230VAC.
 - NTP/ETH model: PoE (Power over Ethernet) – class 0.
- **Consumption (max)**.....
 - 100-240 VAC ; 250-150 mA.
 - 230 VAC ; 60 mA.
 - NTP/ETH model; 6 W (red, green, yellow) ; 2 W (blue, white).
- **Electric protection**.....
 - NTP/ETH model: Class 3.
 - Other Synchronisations: Class 2.

STYLE 10S REFERENCES (BY SYNCHRONISATION)

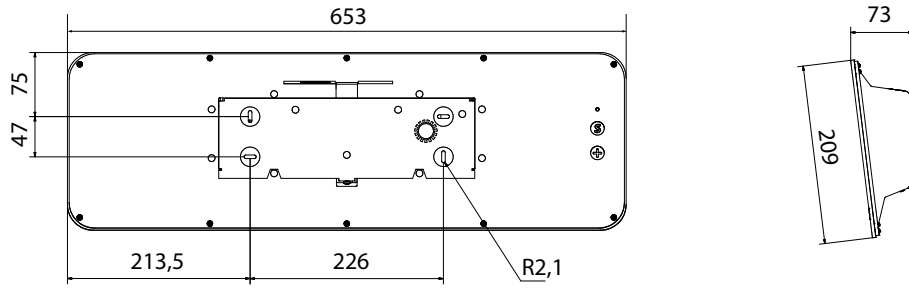
- | | |
|--|---|
| • 946 81x Independent model | • 946 88x NTP/Wi-Fi model |
| • 946 82x Impulse model | • 946 005 Double sided hanging bracket |
| • 946 83x DCF model | • 946 006 Single sided hanging bracket |
| • 946 84x DHF model | • 946 051 Style Timer Controller |
| • 946 85x AFNOR model | • 946 080 External Wi-Fi antenna |
| • 946 87x NTP/ETH model | |

• Specify the LED colour by replacing the "x" in the reference number by: 1: red - 2: green - 3: yellow - 4: blue - 5: white



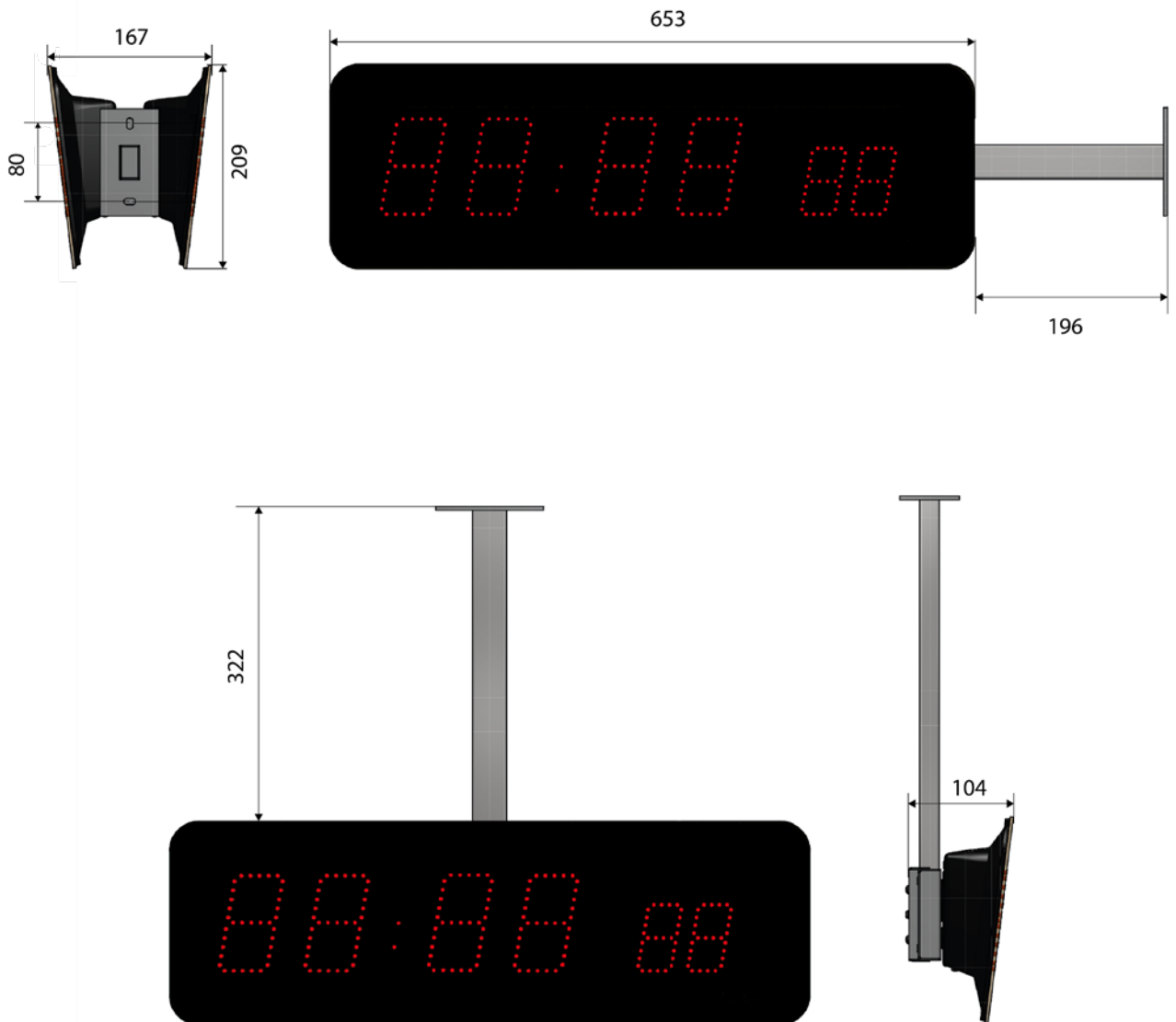
WALL MOUNTING

Dimensions in mm



MOUNTING ON HANGING BRACKET

- The hanging bracket makes possible to hang the clock from the ceiling or from the wall.
- Construction: Steel.
- Colour: Black.



Dimensions in mm

DESCRIPTION

- Style 10S waterproof indoor digital clock having the same electronics and the same operation than the normal version. However the mechanics are different to allow for an IP65 Ingress protection rating.
- LED colours: red.
- Model: NTP/ETH.

WATERPROOF VERSION



GENERAL FEATURES

- Same as Style 10S normal version (see page 1).

MECHANICAL FEATURES

- Same as Style 10S normal version (see page 1).
- In order to guarantee an IP65 Ingress Protection, the grommets are waterproof and silicon seals are installed between the bracket and the clock casing.

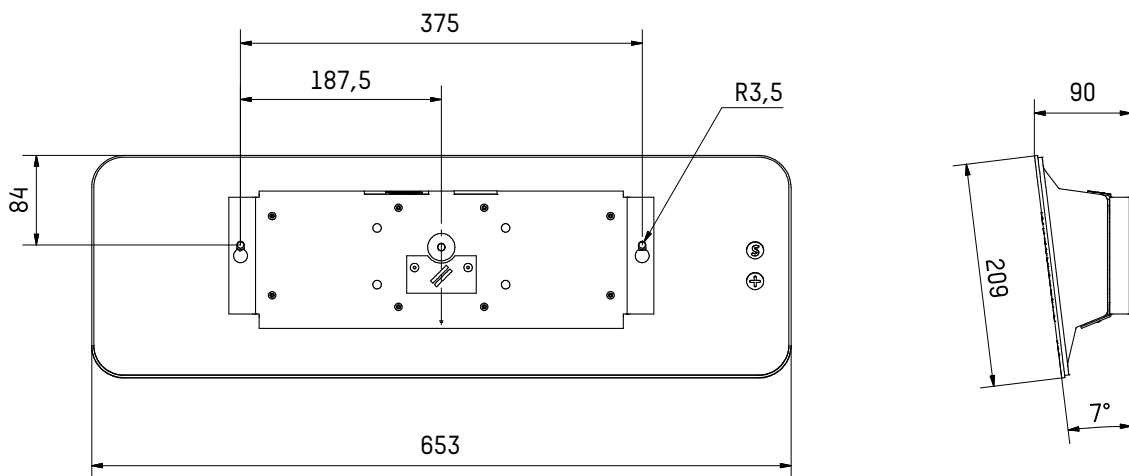
ELECTRICAL FEATURES

- Same as Style 10S normal version (see page 1).

DIMENSIONS

- Dimensions for wall mounting:

Dimensions in mm



STYLE 10S WATERPROOF REFERENCE

- 946 871 A..... NTP/ETH model