

PROFIL TGV 950/970

DESCRIPTION

- Outdoor clock (IP54) with analogue display.
- Hour-Minute-Second display.
- LED backlight
- The clocks have been designed in partnership with the design office of the French railways.
- Model IRIG-B/AFNOR coded time receiver.



COMPLIANCE

- Directive EMC 2014/30/EU
- Directive LVD 2014/35/EU

TECHNICAL FEATURES

	Diameter	Weight	Consumption
Profil TGV 950	50 cm	8 kg	12 W
Profil TGV 970	70 cm	14 kg	15 W

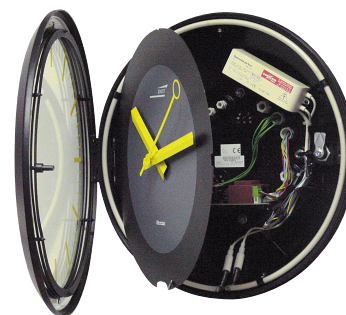
MECHANICAL FEATURES

- **Construction**..... Black reinforced thermoformed polyurethane casing.
- **Glass**..... « Securit » glass or shockproof polycarbonate protective crystal.
- **Clock colors**.....
 - Black casing RAL9005.
 - Hands and marking: yellow RAL1016.
 - background of the dial: grey RAL7015.
- **Power supply**..... 230V 50Hz ±10%.
- **Operating temperature**..... -25°C to +70°C.
- **Protection index**..... IP 54
- **Mechanical impact resistance**..... IK 08

Double-sided Profil TGV 970



Hinged opening
Profil TGV 950/970



REFERENCES

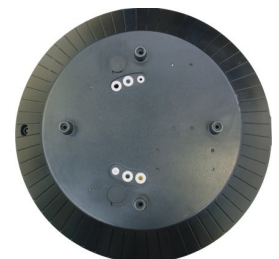
TGV 950	TGV 970	
931 684	931 664	AFNOR receiver

Option anti-vandal: add a «P» at the end of the reference to obtain a shockproof polycarbonate protective crystal.

Back views Profil TGV



Profil TGV 950



Profil TGV 970

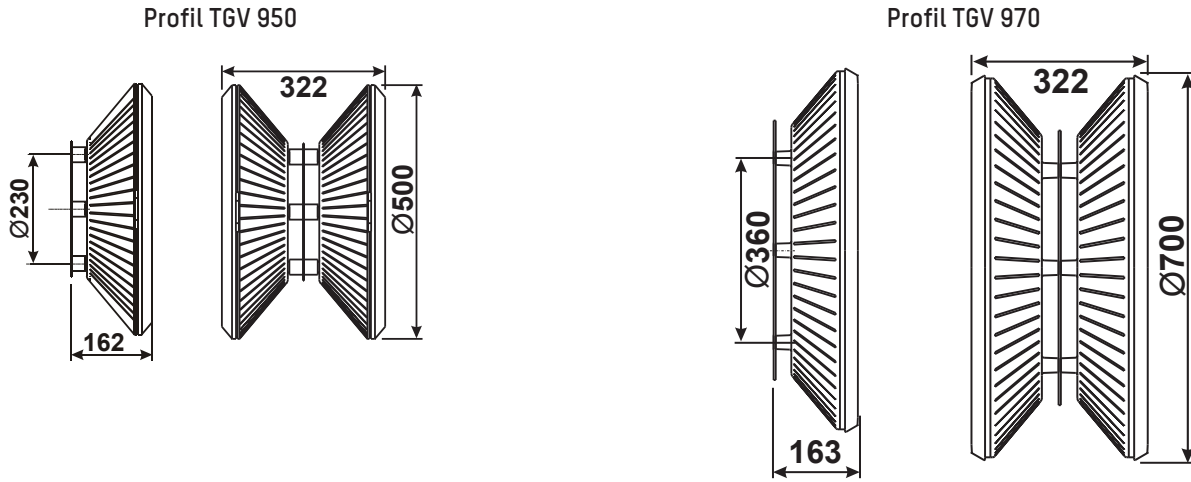


MOVEMENTS AND SYNCHRONISATION

• IRIG-B/AFNOR coded time receiver

The coded time distribution consists in transmitting a complete time message every second: the setting on time of the receivers is realised automatically and immediately after connection to the clock line.

The IRIG-B/AFNOR coded time does not transmit interference and is insensitive to other electrical interference.



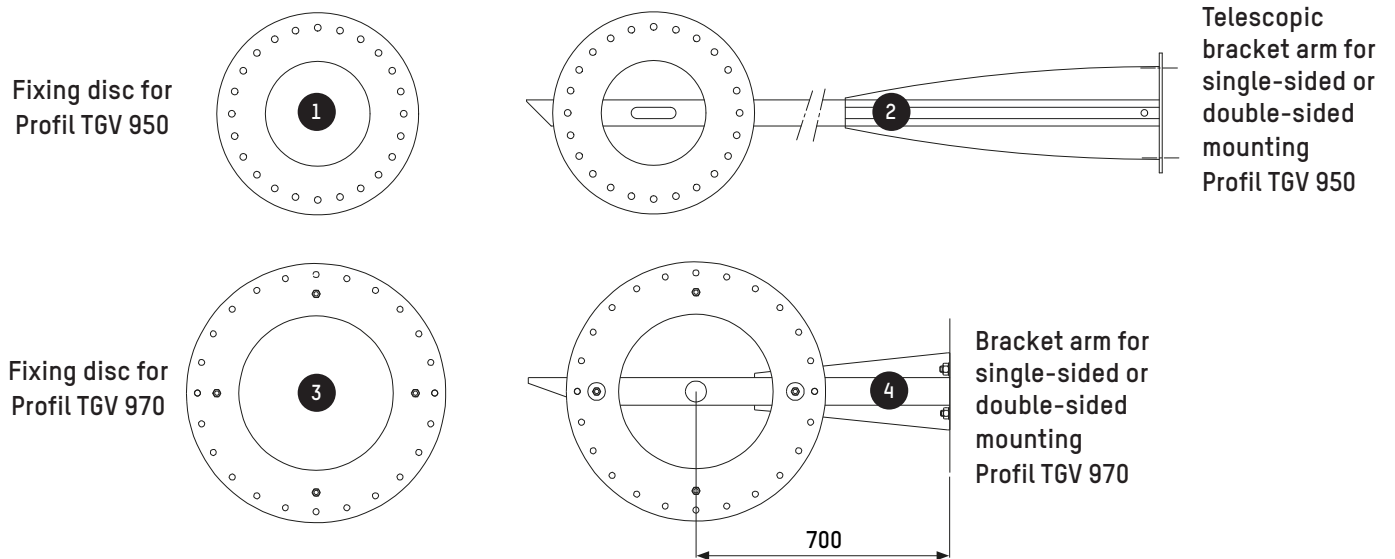
Dimensions in mm

SUPPORTS OF CLOCKS

- 931 691..... ① SS/DS fixing disc for telescopic bracket arm ② (Profil TGV 950)
- 931 692..... ② Telescopic bracket arm for mounting with fixing disc ① (disc is included in the reference) (Profil TGV 950)
- 931 604..... ③ SS/DS fixing disc for mounting with bracket arm ④ (Profil TGV 970)
- 931 673..... ④ Bracket arm (lg: 70 cm) for mounting with fixing disc ③ (disc is not included in the reference) (Profil TGV 970)

Note: for a double-sided clock (950 or 970), only one fixing disc is required.

SS: single-sided / DS: double-sided



Dimensions in mm